

4

3

2

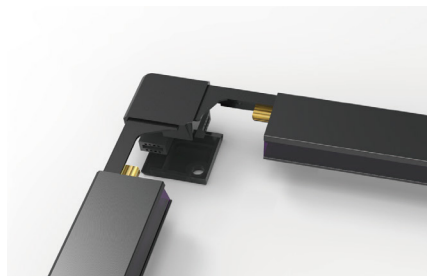
1

A

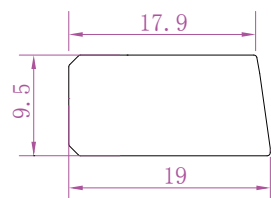
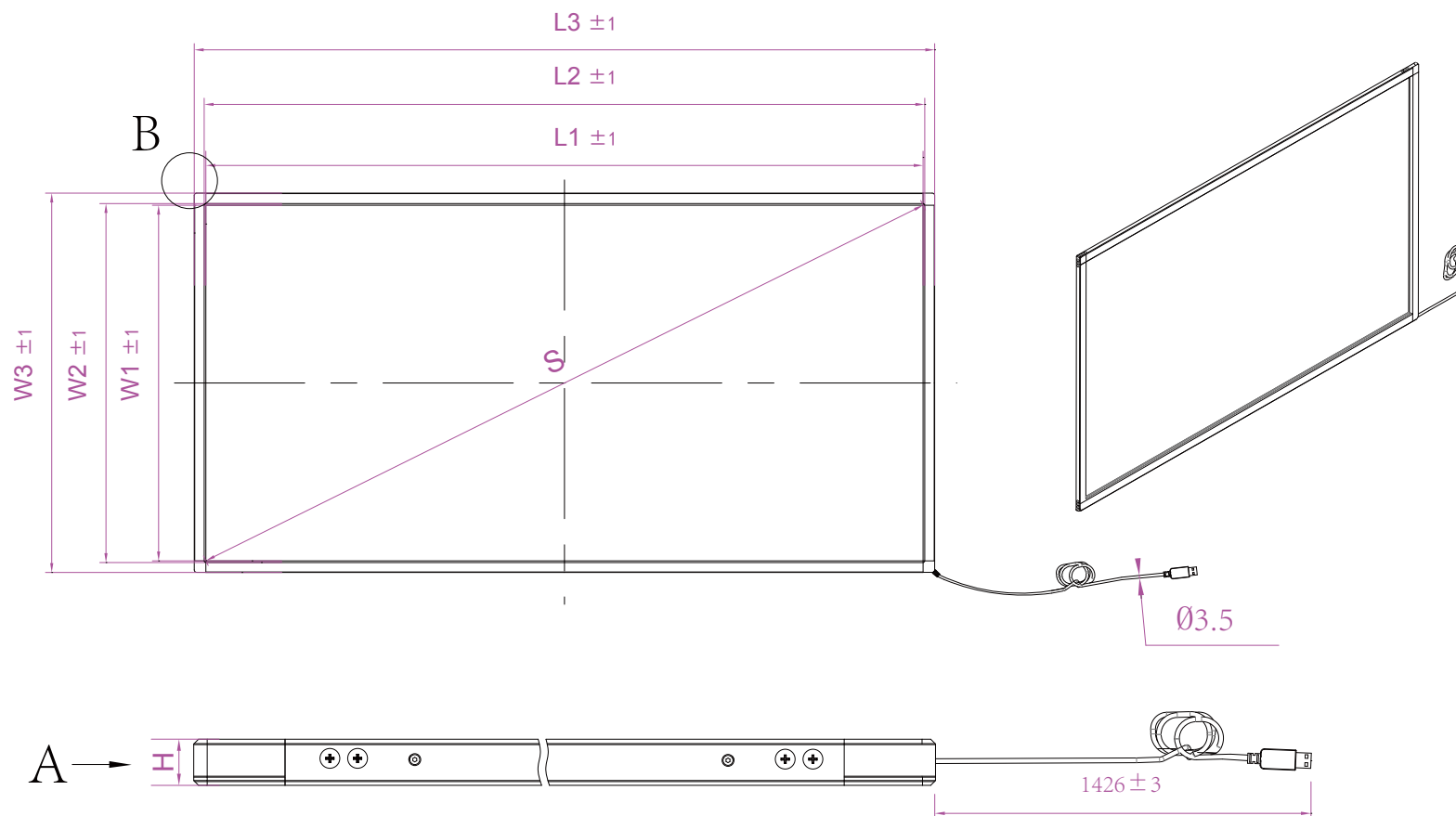
B

C

D



B



A

S(Inch/mm)	70.13"/1781.20
W1	873.7 $\pm$ 1
W2	875.9 $\pm$ 1
W3	911.7 $\pm$ 1
L1	1552.2 $\pm$ 1
L2	1554.4 $\pm$ 1
L3	1590.2 $\pm$ 1
H	9.5 $\pm$ 0.2



Anti-Sunlight, No Blind Zone For Any Size



X Slim Series							
Material:	aluminum	Unit:	mm	Date:		Rev:	1.0
Draft by:		Approved by:					

4

3

2

1