

4

3

2

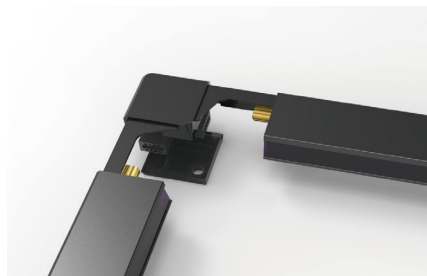
1

A

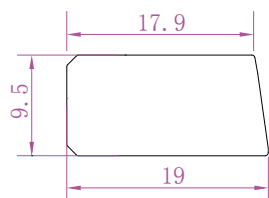
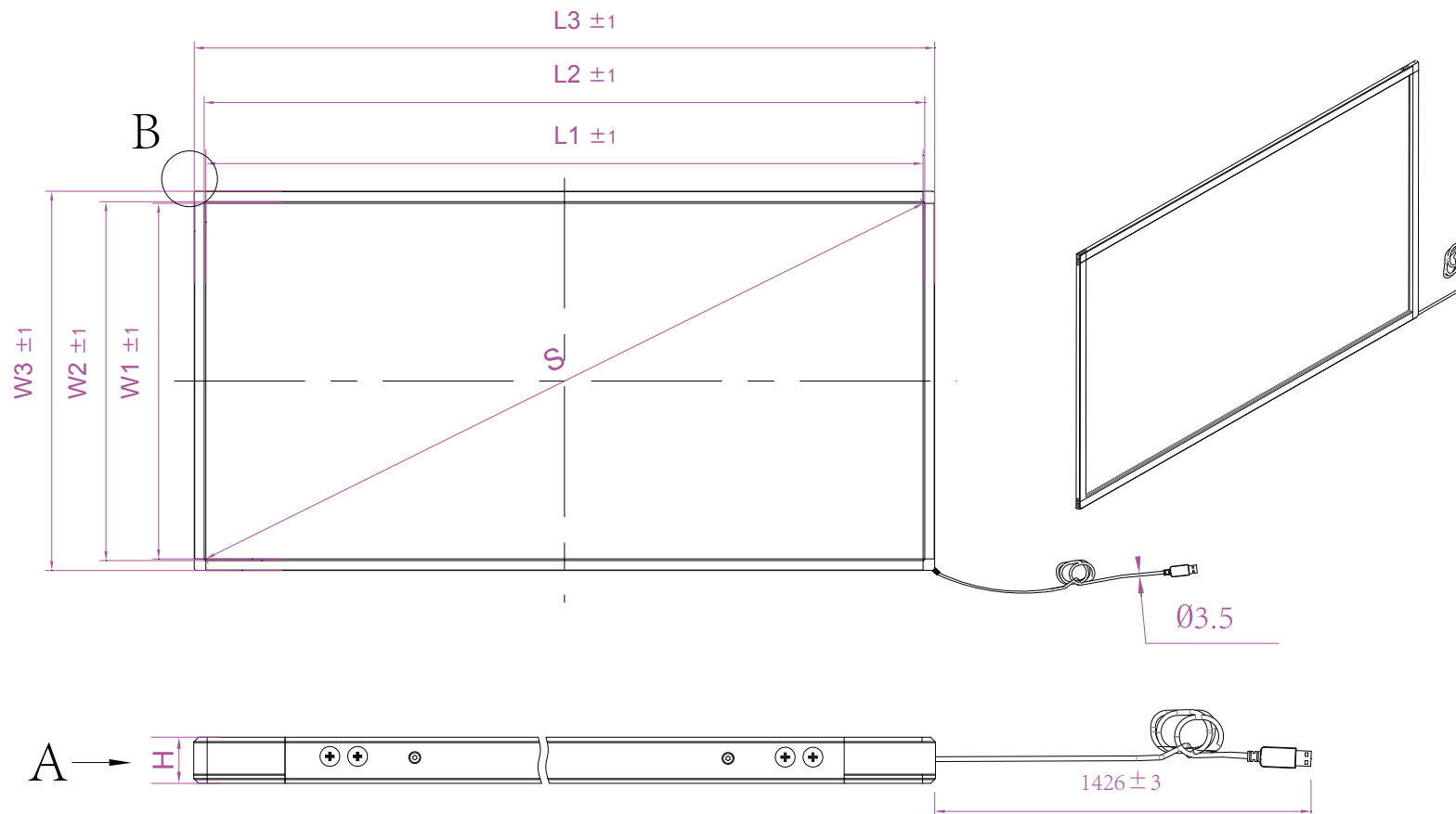
B

C

D

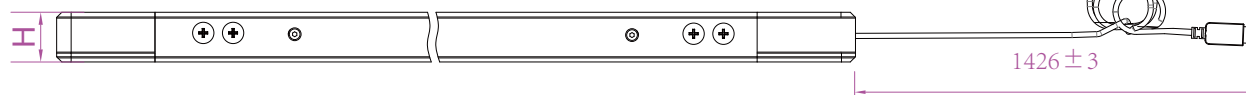


B



A

A



S(Inch/mm)	97.58"/2478.62
W1	1215.9 \pm 1
W2	1218.1 \pm 1
W3	1253.9 \pm 1
L1	2159.9 \pm 1
L2	2162.1 \pm 1
L3	2197.9 \pm 1
H	9.5 \pm 0.2



Anti-Sunlight, No Blind Zone For Any Size



X Slim Series

Material:	aluminum	Unit:	mm	Date:		Rev:	1.0
Draft by:		Approved by:					

4

3

2

1