



49" HIGH BRIGHTNESS 3500 NIT LCD WITH NARROW BEZEL MODEL DS491LT4

The DS491LT4 is a full HD 49-inch high brightness LCD featuring an LED backlight producing a 3,500 nit sunlight viewable image. The DS491LT4 has been designed for applications in bright environments such as outdoor enclosures and storefront windows. A narrow 8.5 mm bezel makes this model ideal for either single display or video wall applications. Each screen is individually color calibrated to the D65 color standard to ensure uniformity among multiple displays. The DS491LT4 features an integrated Android™ based media player with WiFi offering users a complete media platform, allowing playback of local files and USB/SD card media.

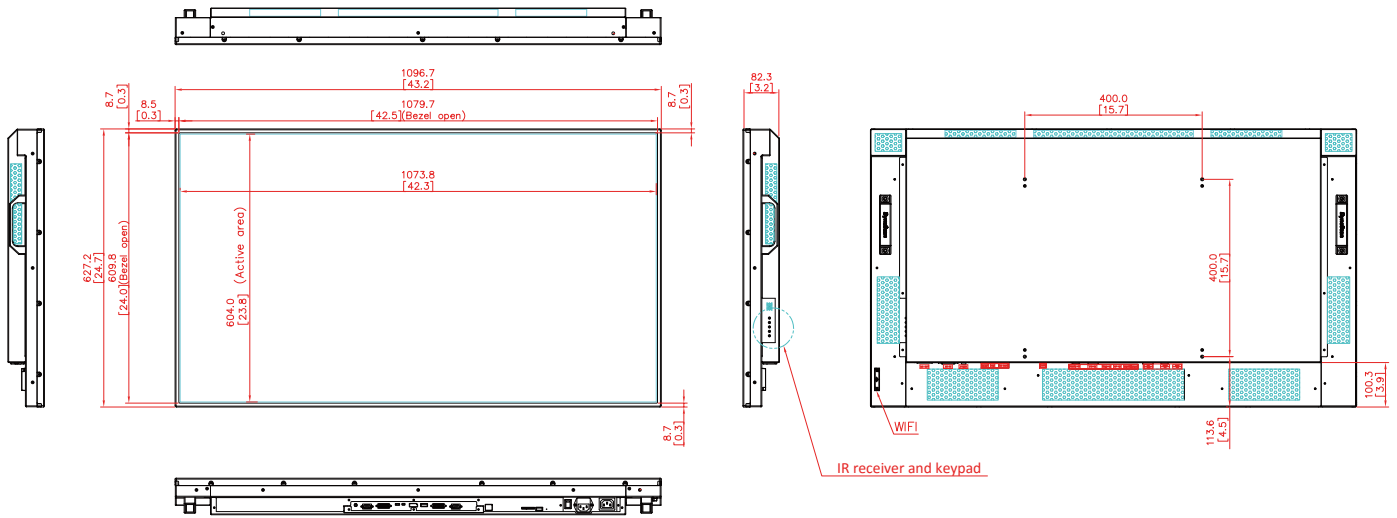
Screen image simulated.
Android is a trademark of Google Inc.
The Android robot is reproduced or modified from work created and shared by Google and used according to terms described in the Creative Commons 3.0 Attribution License.

Key Features

- 3,500 nit Maximum Brightness
- LED Backlit with Local Dimming
- Fanless Thermal Management
- 1920 x 1080 Full HD Native Resolution
- 8.5 mm Bezel Width
- Integrated Android media player

49" HIGH BRIGHTNESS 3500 NIT LCD WITH NARROW BEZEL

MODEL DS491LT4



PANEL

LCD Panel Type	48.5 inches IPS LCD
Native Resolution	1920 x 1080
Backlight	LED
Brightness	3500 nit
Default Color Temperature	D65 (6500 K)
Contrast Ratio	3,000:1
Color Depth	10 bits
Response Time	8 ms (typ)
Viewing Angle	178° / 178°
Light Life Time	100,000 hrs (typ.)
Blackening Defect Free	Up to 110°C (230°F)
Panel Surface	AR, Haze <2%, 2H

POWER

Power Supply	Internal
Rated Voltage	100 V ~ 240 V, 50 Hz / 60 Hz
Power On Mode	160 W (typ), 230 W (max)
Power Saving Mode	< 1 W

MECHANICAL SPECS

Bezel Width (T/B/L/R)	Even bezel 8.5 mm
Cabinet Color	Black
Dimension (LxHxD, w/o stand)	1096.7 x 627.2 x 82.7 mm
Weight (set/package)	19.6 kg / 27 kg
VESA Mounting (dimension)	400 x 400 mm
Orientation	Portrait / Landscape

USER INTERFACE

Language	English
Daisy Chain	DVI, RS-232
Proof of Image Retention	Yes
Dimming Control (DCR)	Yes
Built-in Video Wall Support	Up to 15x15
ID Setting for Daisy Chain	Yes
On/Off Scheduling	Yes
Ambient Light Sensor	Yes
Total Turn-on time	Yes
Internal Temperature Sensor	Yes
Network Control	RS-232(IN/Out), RJ45
OSD Menu Rotation	Yes
Carrying Handles	Yes
Fanless design	Yes

I/O PORTS

DVI-D	In (x1), Out (x1)
Display Port	In (x1)
HDMI	In (x1)
RS-232	In (x1), Out (x1)
RJ-45	In (x1)
Audio	Out (x1)
USB	USB2.0 for Internal Player*

ENVIRONMENT

Operating Temperature	0° C ~ 40° C
Storage Temperature	-20° C ~ 60° C
Humidity	10% ~ 80% RH Non-condensing

INTERNAL PLAYER

Processor	ARM Cortex-A9 1.6 GHz, Quad-Core CPU
On chip cache memory	L2: 512KB
Clock speed	1.6GHz
Main memory interface	1GB DDR3/3L (1600MHz)
Graphics	600M ARM Mali400MP4,2D/3D graphic engine, support OpenGL ES1.1/2.0, Open
Storage (FDM)	8GB NAND Flash(2GB occupied by o/s, 6GB available depending on total capacity)
Multimedia	H.264 encoder/decoder, MPEG-1/2/4, H.263, H.264 MVC, AVS, VC-1, VP8/6, RV
IO ports	USB 2.0, SD slot
Operating system	Yes

All specifications subject to change without notice.