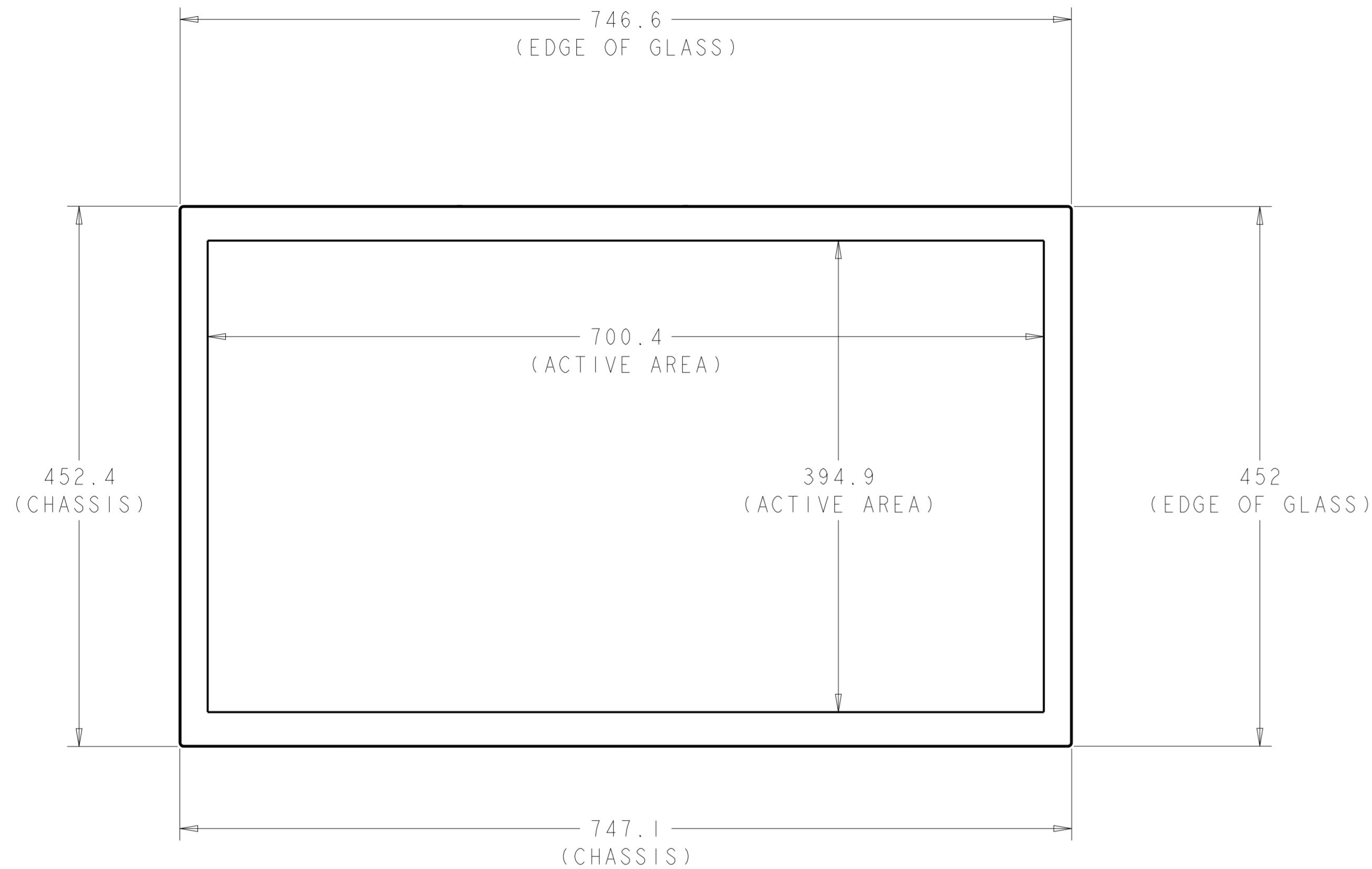
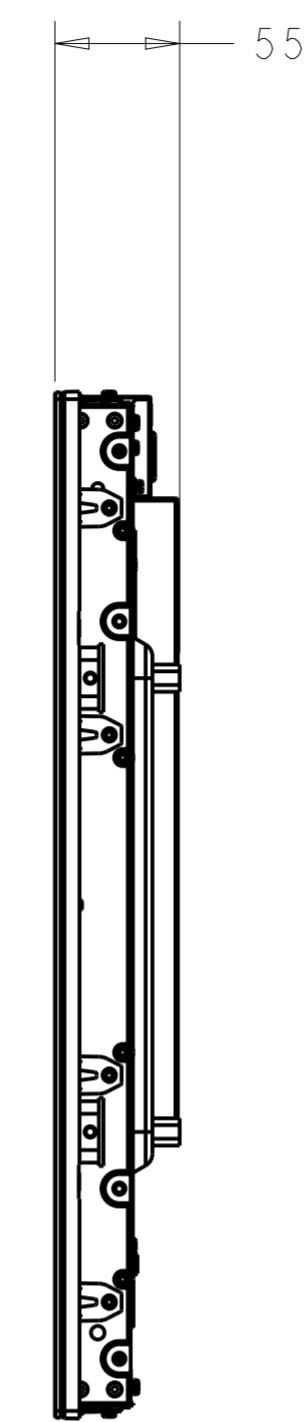


PCAP ONLY

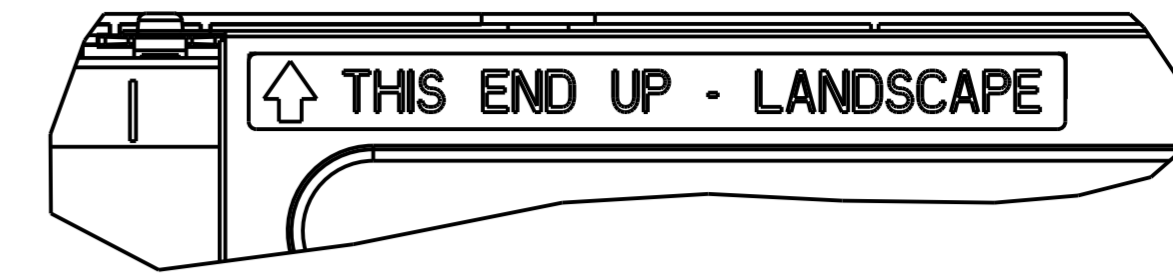
DETAIL B  
SCALE 1:1



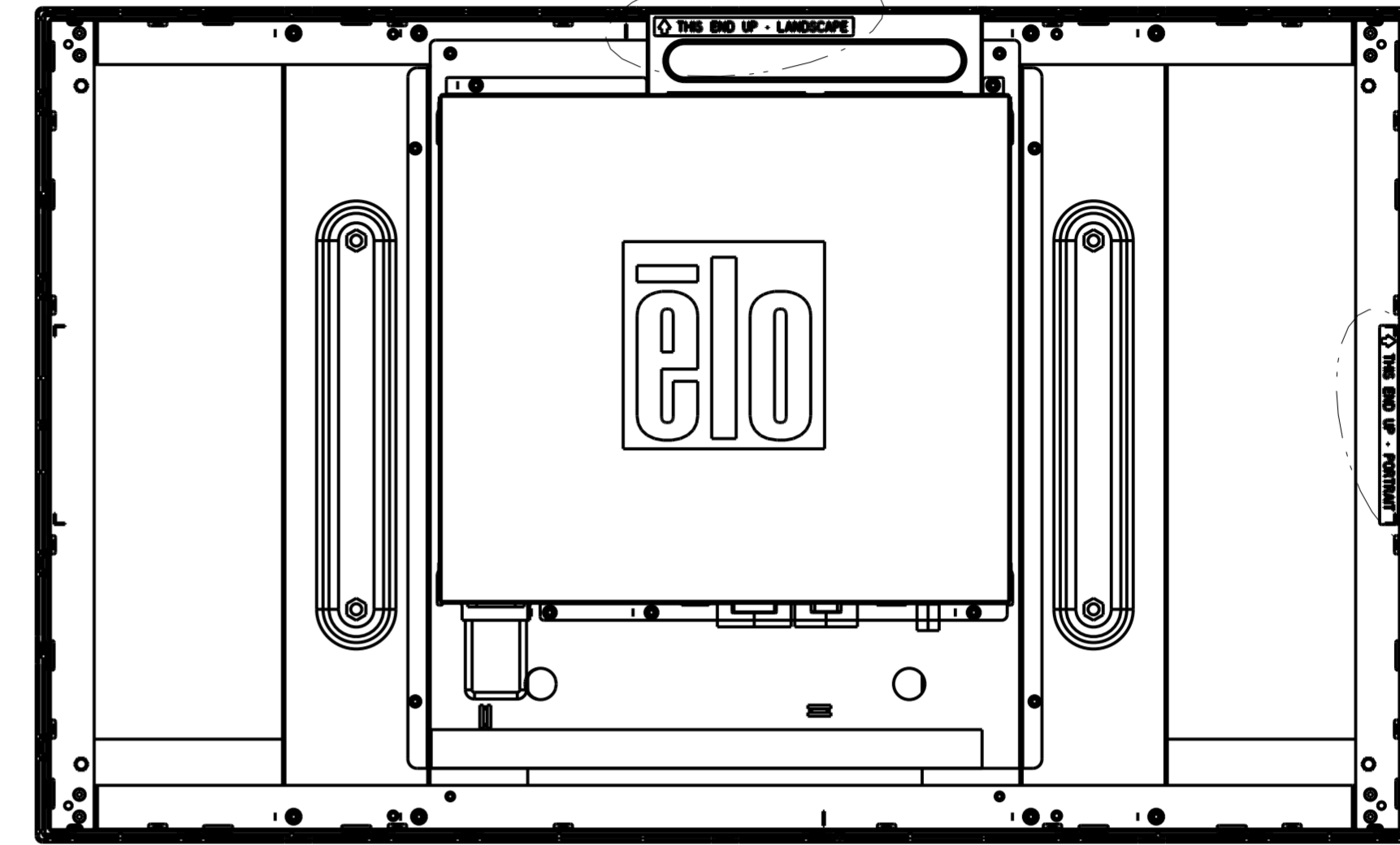
FRONT



SIDE

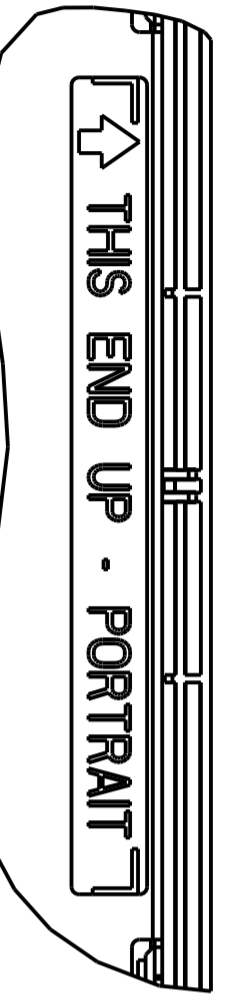


SEE DETAIL B

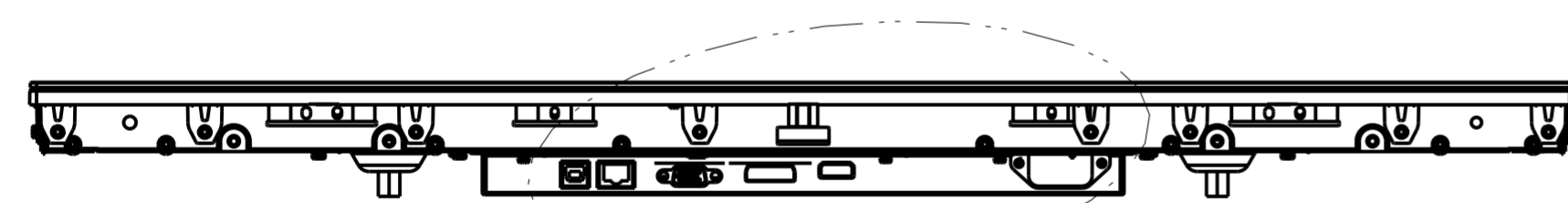


SEE DETAIL C

REAR

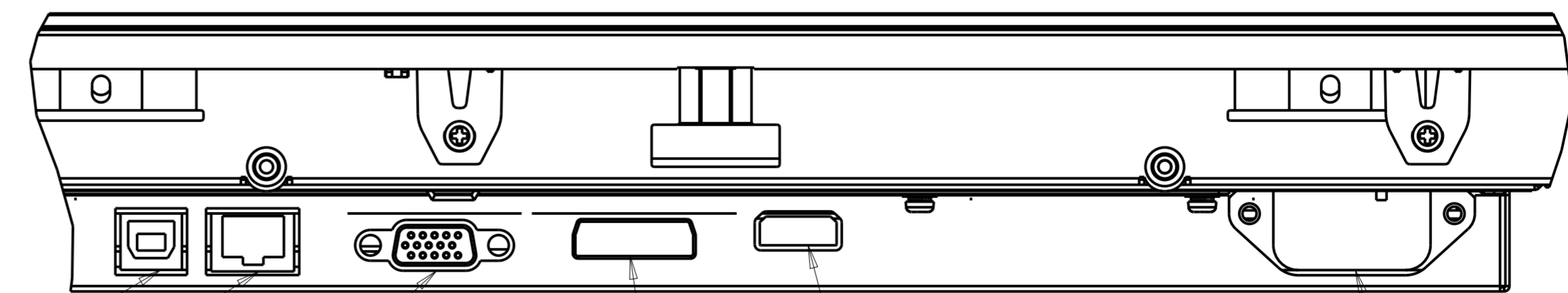


DETAIL C  
SCALE 1:1



SEE DETAIL D

BOTTOM



USB TOUCHSCREEN OUTPUT

OSD

VGA INPUT

DVI INPUT

(NOT AVAILABLE ON ALL MODELS)

HDMI INPUT

(NOT AVAILABLE ON ALL MODELS)

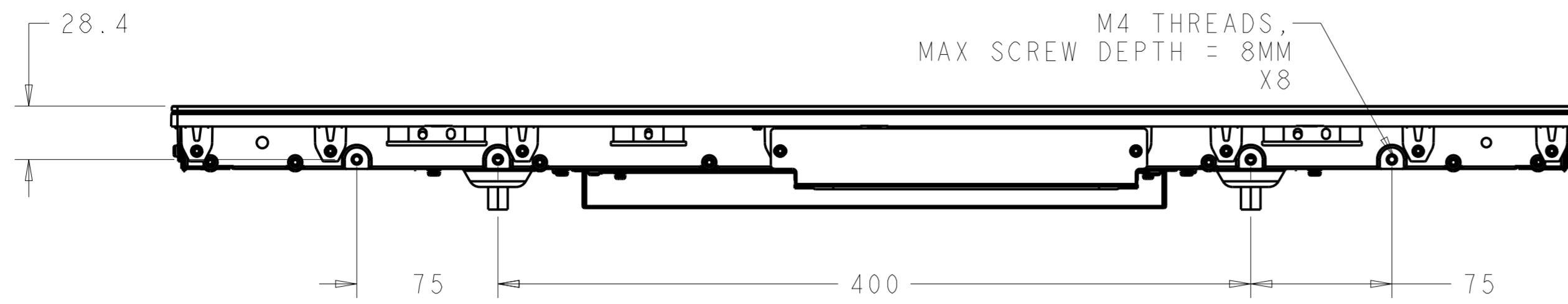
AC POWER IN

DETAIL D  
SCALE 1:1

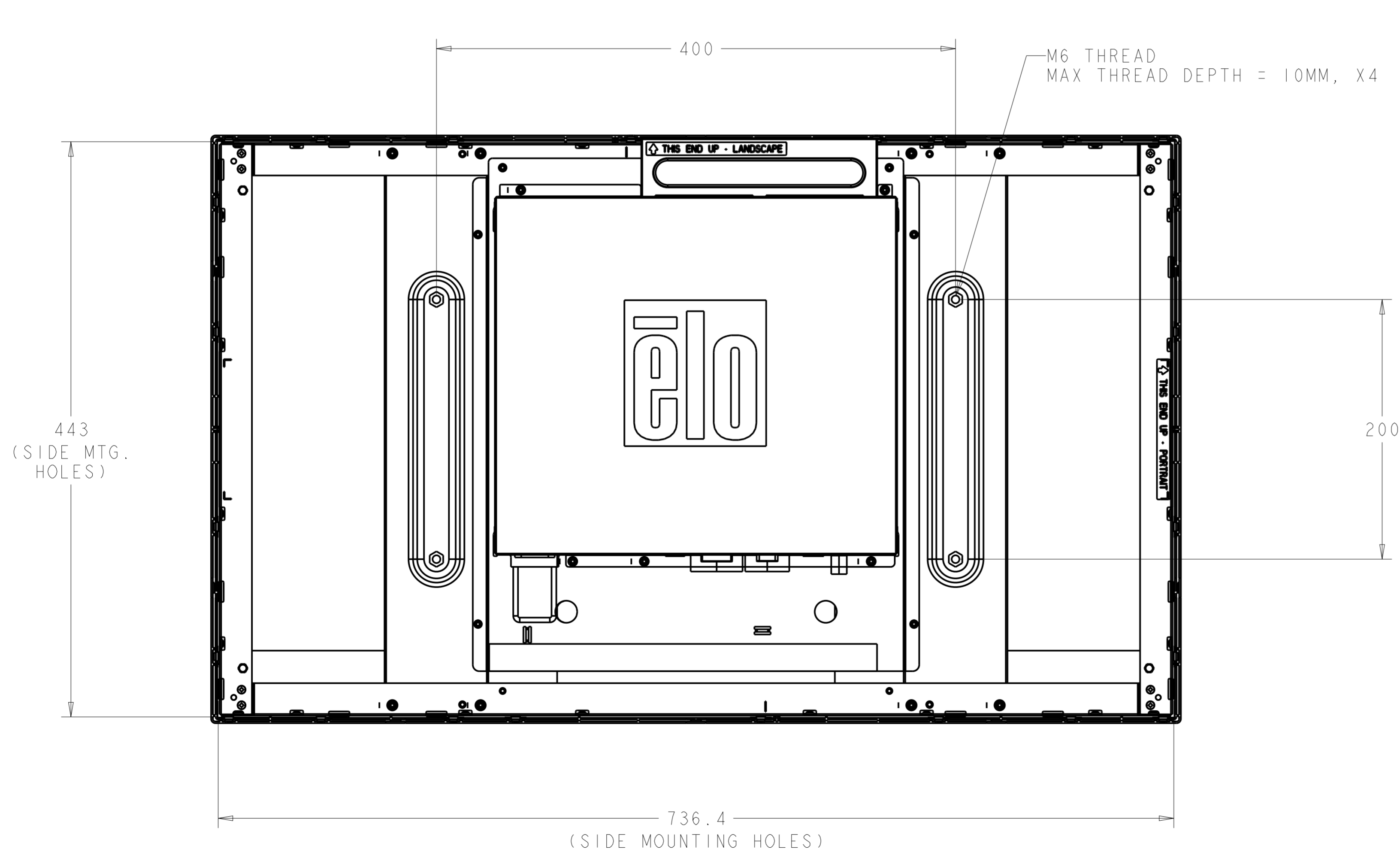
PCAP ONLY

INSTALLATION NOTES:

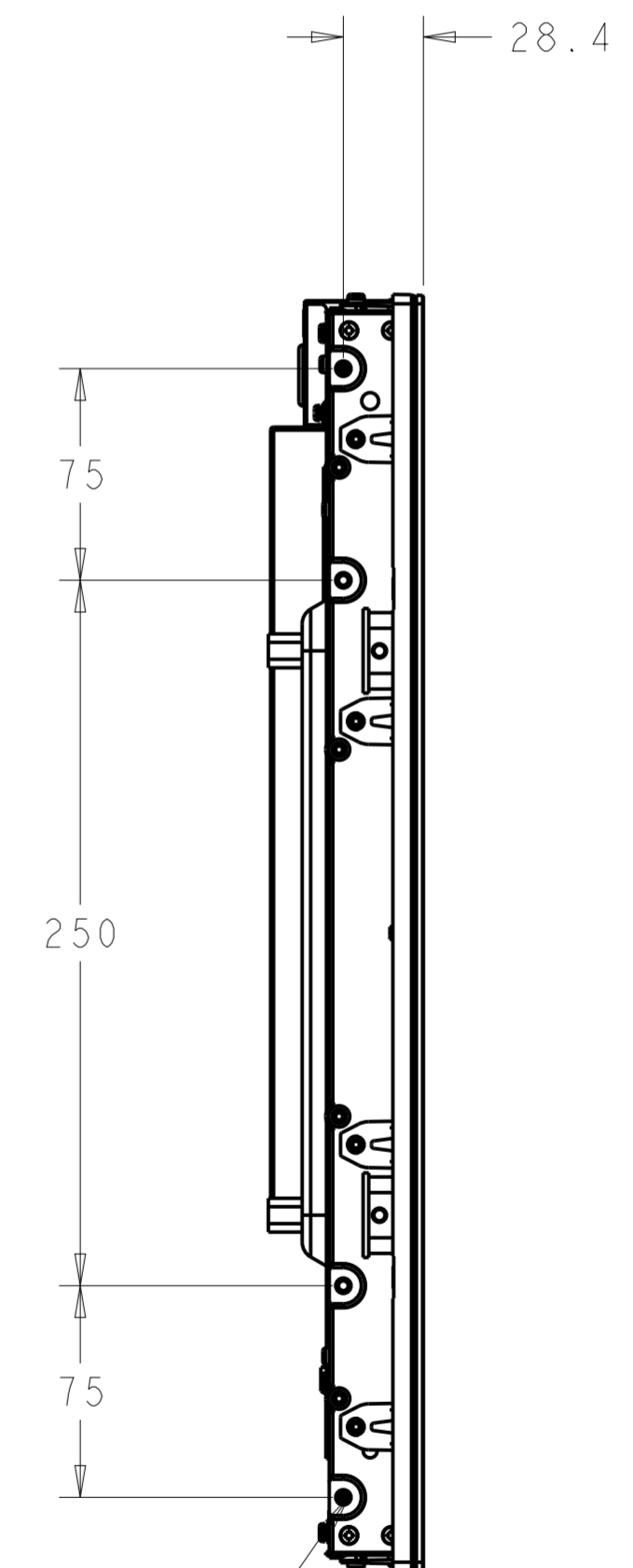
1. DURING HANDLING AND INSTALLATION, DO NOT REST WEIGHT OF MONITOR ON EXPOSED TOUCHSCREEN EDGE. AVOID EXCESSIVE PRESSURE OR SHARP IMPACTS ON TOUCHSCREEN EDGE. DAMAGE TO TOUCHSCREEN MAY OCCUR.
2. MONITOR SHOULD BE MOUNTED WITH TOUCHSCREEN FLUSH TO CUSTOMER KIOSK FRONT SURFACE (WITHIN  $\pm 0.3\text{mm}$  TOLERANCE).
3. KIOSK DESIGN SHOULD PROTECT TOUCHSCREEN EDGE TO AVOID ACCIDENTAL DAMAGE DURING USE AND CLEANING.



SIDE MOUNT HORIZONTAL (TOP/BOTTOM)

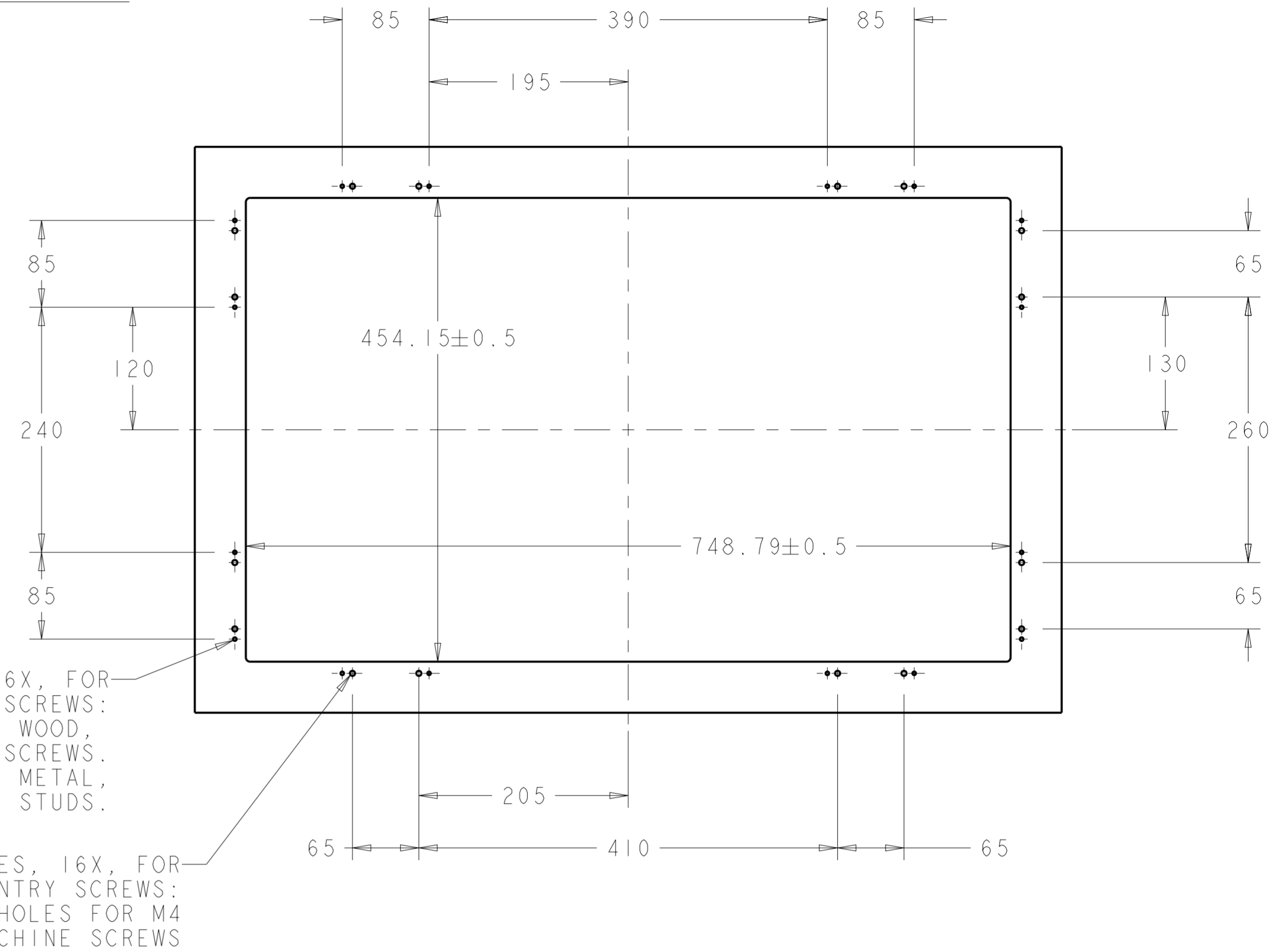
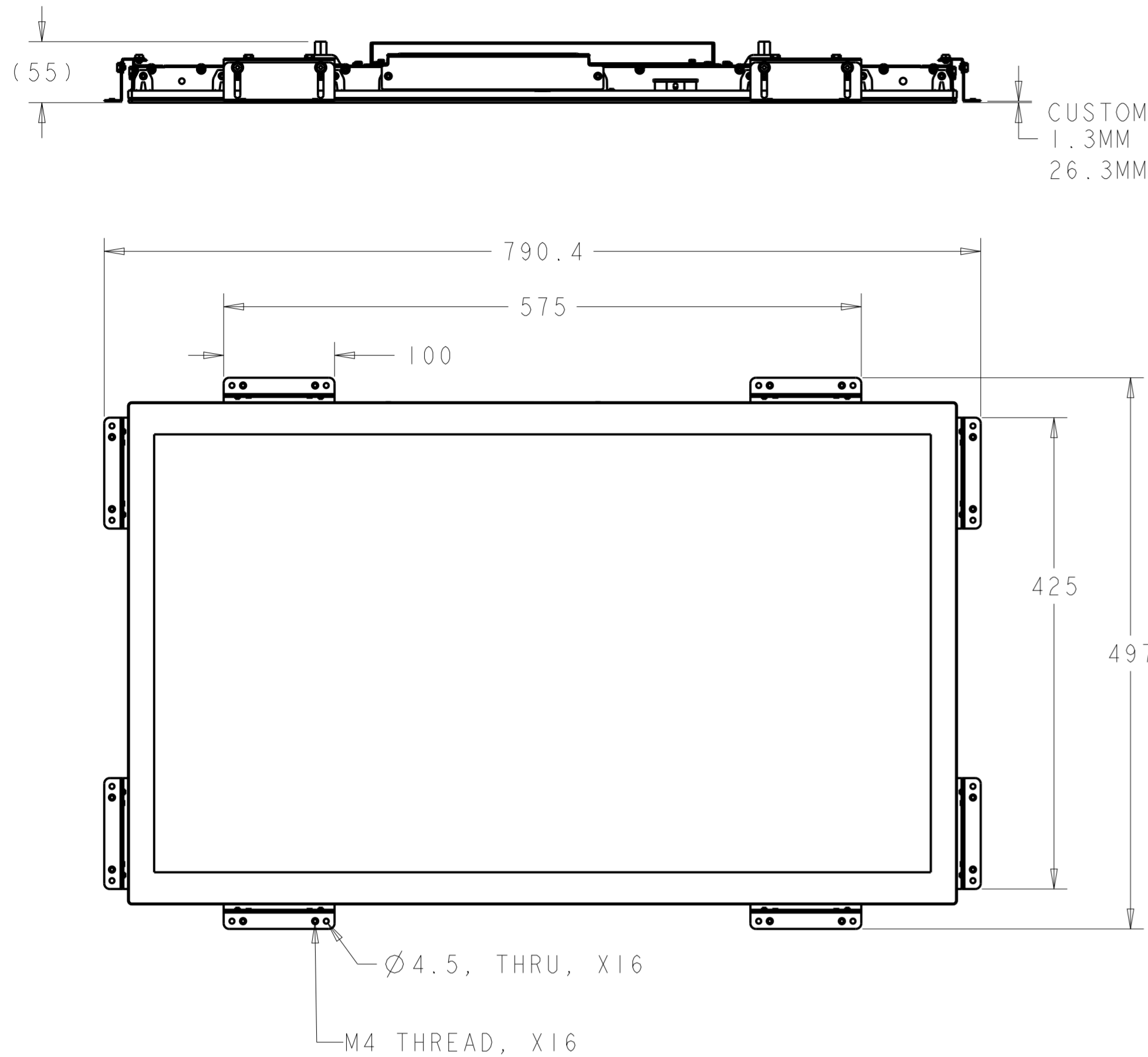


VESA MOUNT PER MIS-F, 400, 200, 6



SIDE MOUNT VERTICAL (LEFT/RIGHT)

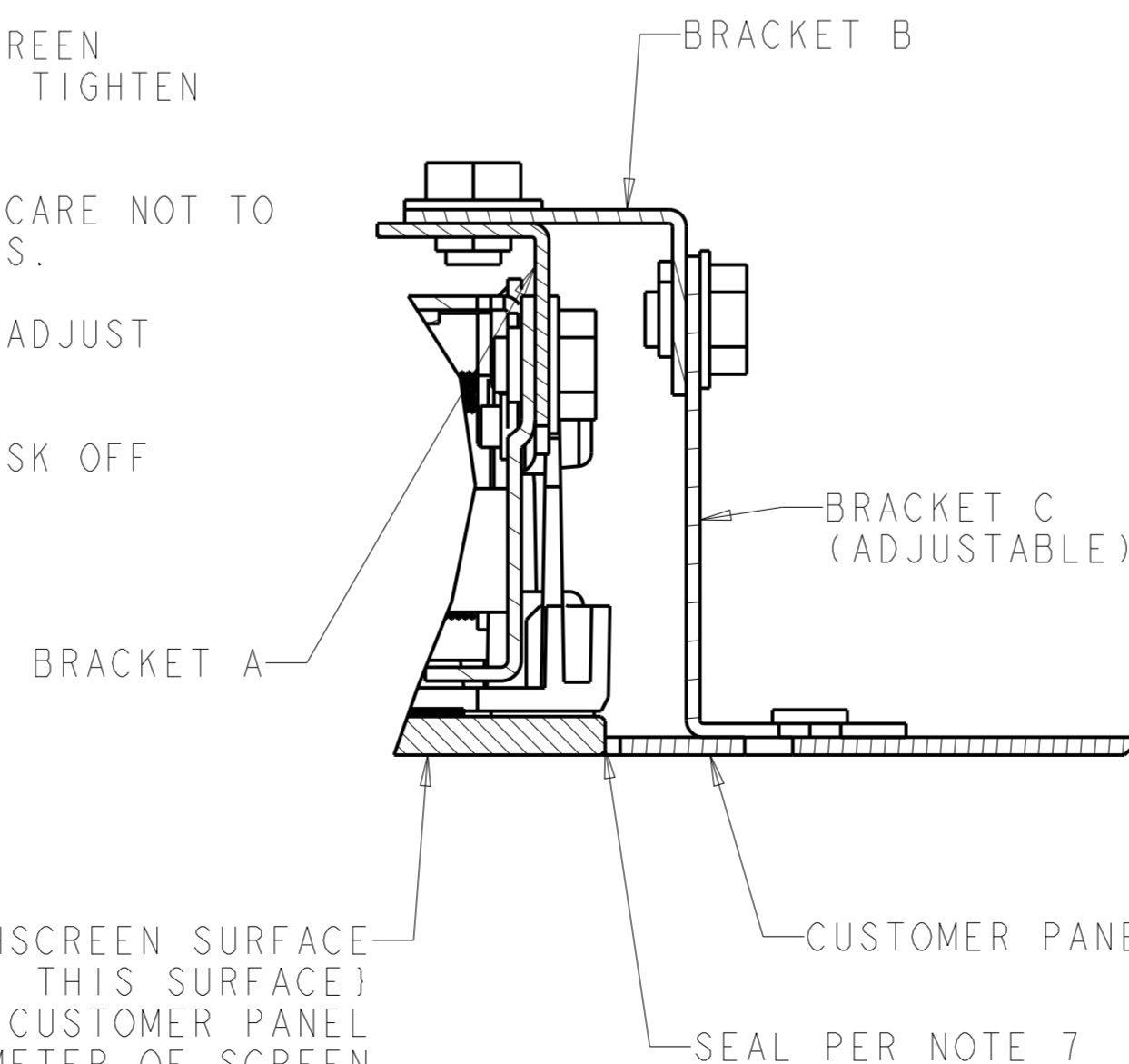
OPTIONAL PROJECTED CAPACITIVE FLUSHMOUNT KIT, P/N E312503  
 ORDER SEPARATELY, CUSTOMER ASSEMBLED



RECOMMENDED CUSTOMER PANEL CUTOUT

INSTALLATION INSTRUCTIONS:

1. ATTACH BRACKETS "A" TO TOUCHMONITOR WITH QTY 2 M4 HEX HEAD SCREWS (INCLUDED), 8X
2. ATTACH BRACKETS "B" TO TOUCHMONITOR WITH QTY 2 M4 HEX HEAD SCREWS (INCLUDED), 8X
3. ATTACH BRACKETS "C" LOOSELY TO TOUCHMONITOR WITH QTY 2 M4 HEAD HEAD SCREWS (INCLUDED), 8X
4. ADJUST DEPTH OF BRACKET "C" SUCH THAT FACE OF BRACKET SITS BELOW TOUCHSCREEN SURFACE APPROXIMATELY THE SAME DISTANCE AS THE CUSTOMER PANEL THICKNESS. TIGHTEN SCREWS HOLDING BRACKET "C".
5. INSTALL TOUCHMONITOR INTO CUSTOMER PANEL OPENING FROM BACK SIDE, TAKING CARE NOT TO DAMAGE TOUCHSCREEN GLASS EDGE. CENTER TOUCHMONITOR IN OPENING USING SHIMS.
6. SECURE TOUCHMONITOR TO CUSTOMER PANEL USING CUSTOMER-SUPPLIED HARDWARE. ADJUST BRACKETS "C" IF GLASS IS NOT FLUSH TO CUSTOMER PANEL.
7. SEAL GAP BETWEEN TOUCHSCREEN GLASS AND CUSTOMER PANEL USING SILICONE. MASK OFF TOUCHSCREEN SURFACE TO ENSURE NO SEALANT LEAKS ONTO FRONT OF GLASS.



CAUTION: WHEN ASSEMBLED, THIS SURFACE SHOULD NOT PROTRUDE BEYOND CUSTOMER PANEL SURFACE ANYWHERE AROUND PERIMETER OF SCREEN

