

TOUCH ITALIA

DIGITAL SIGNAGE | RETAIL | HOSPITALITY | INDUSTRIAL

TEU-15S2-O-P

15- inch

Touchscreen Monitor

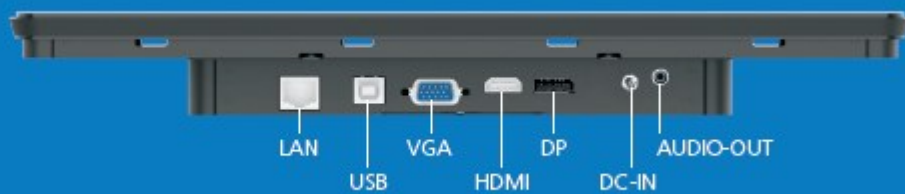


PCap 10 –touch
Zero bezel design

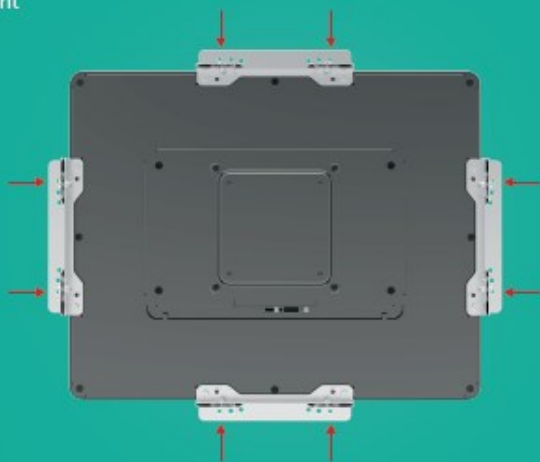
LED backlight
24/7 operation

3 years Warranty
IP65 front side
UL-60950 Antivandal

IO port



Bracket mount



Slim design
Flat type



Specification

TE-15S2-O-P	
Size	15" TFT LED LCD
Max Resolution	1024 x 768
Contrast Ratio	800:1
Brightness	350 nits
View Angle	H 160° - V:140°
Touch LCD Display	
Touchscreen	Projected Capacitive
Touch Points	10 Points
Touchscreen Interface	USB-HID (Type B)
I/O Ports	
USB Port	1 x USB 2.0 (Type B) for Touchscreen
Video Port	1 x Display Port, 1 x HDMI, 1 x VGA (DB15)
Audio Port	Line - Out
Power Input	1 x 12V DC Jack with lock
Physical Properties	
Power Supply	DC 12V with lock External Power
Housing Color	Black
Construction	Glass, SECC Metal, Plastic (ABS)
Compliance	IP65 Compliant Front Side,
Dimension (with Stand)	358.0 x 284.9 x 41.4 mm
Dimension (without Stand)	337.4 x 265.4 x 44.3 mm
Net Weight	2.98 Kg
Gross Weight	4.25 Kg
Shipping Dimension	390.0 x 160.0 x 460.0 mm
VESA mount	100 x 100 mm
Ball Drop	UL60950(500g/1.3m) and IK08
Safety	
Certifications	CE, FCC Class B, CCC
Environment	
Operating Temperature	0° - 50°C, 20% - 80% RH Non-Condensing
Storage Temperature	-20° - 60°C, 10% - 95% RH Non-Condensing