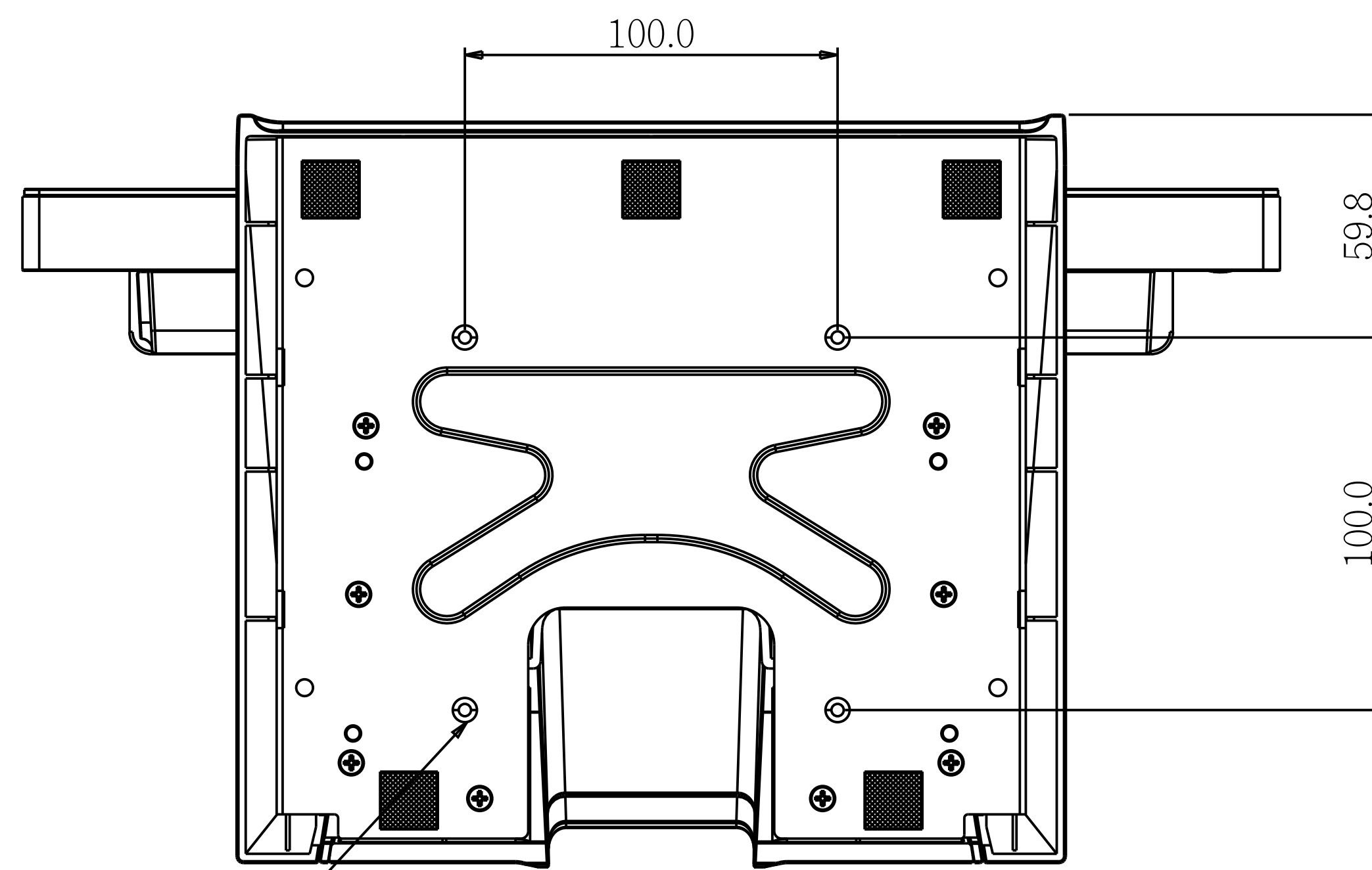
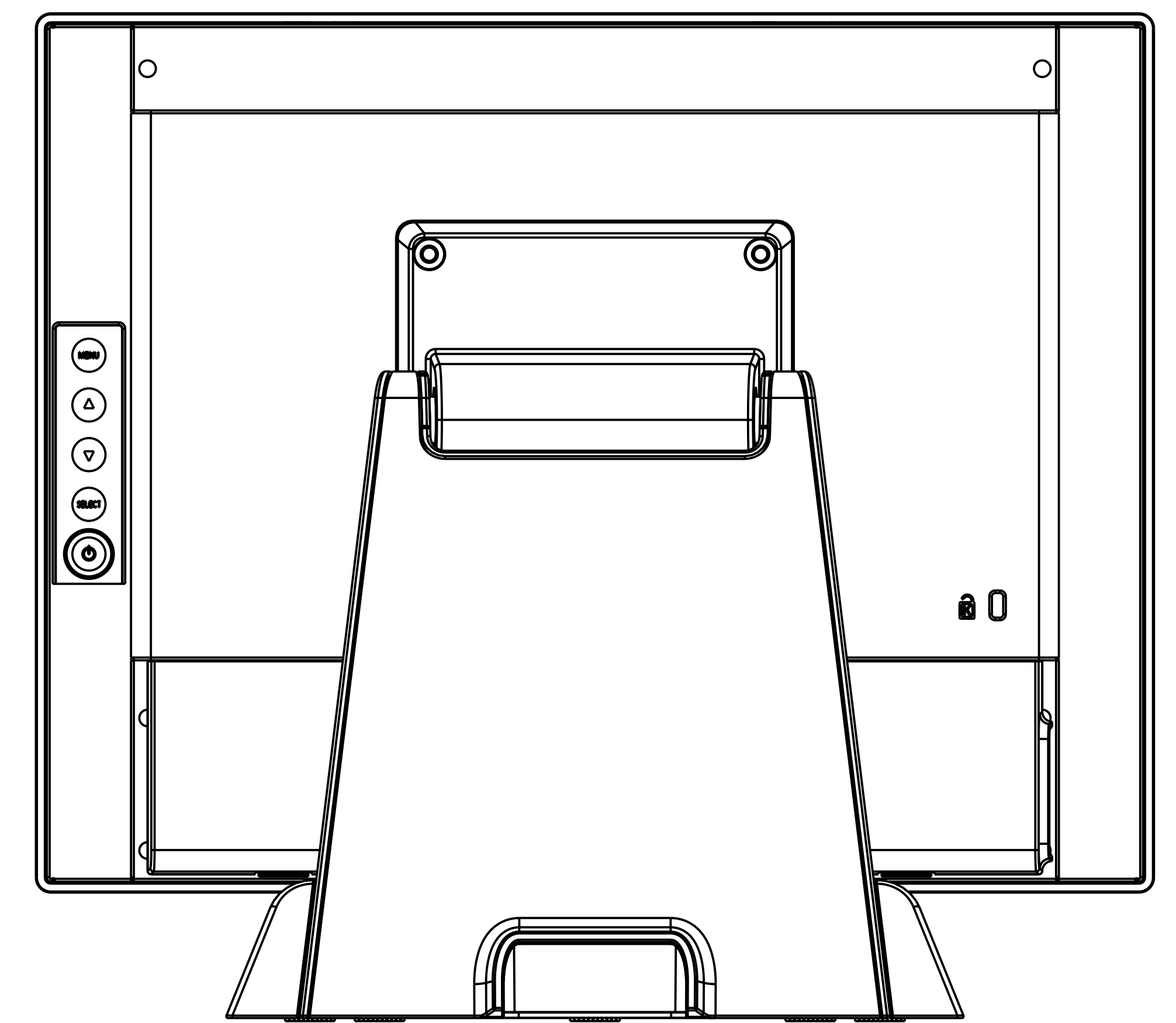
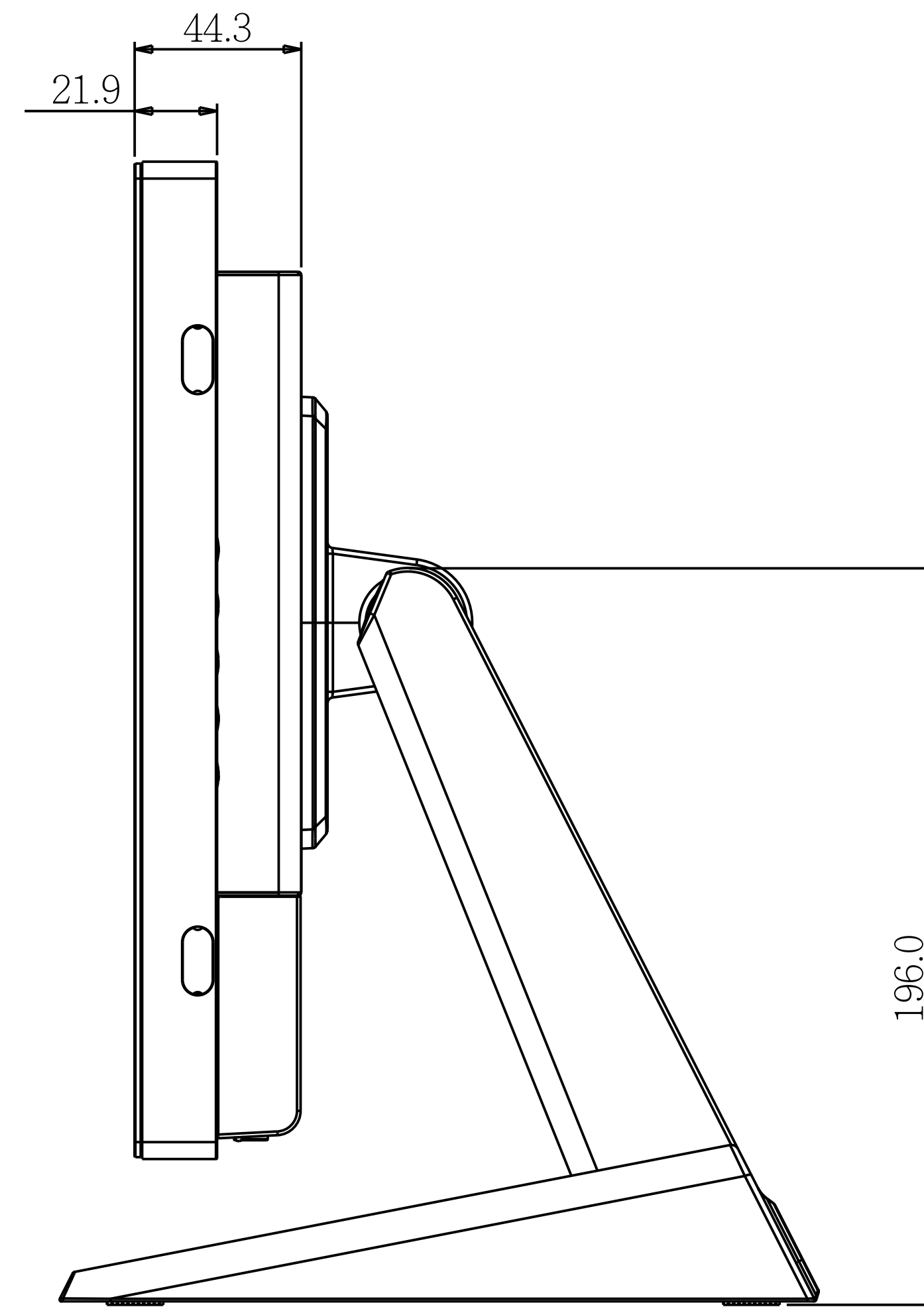
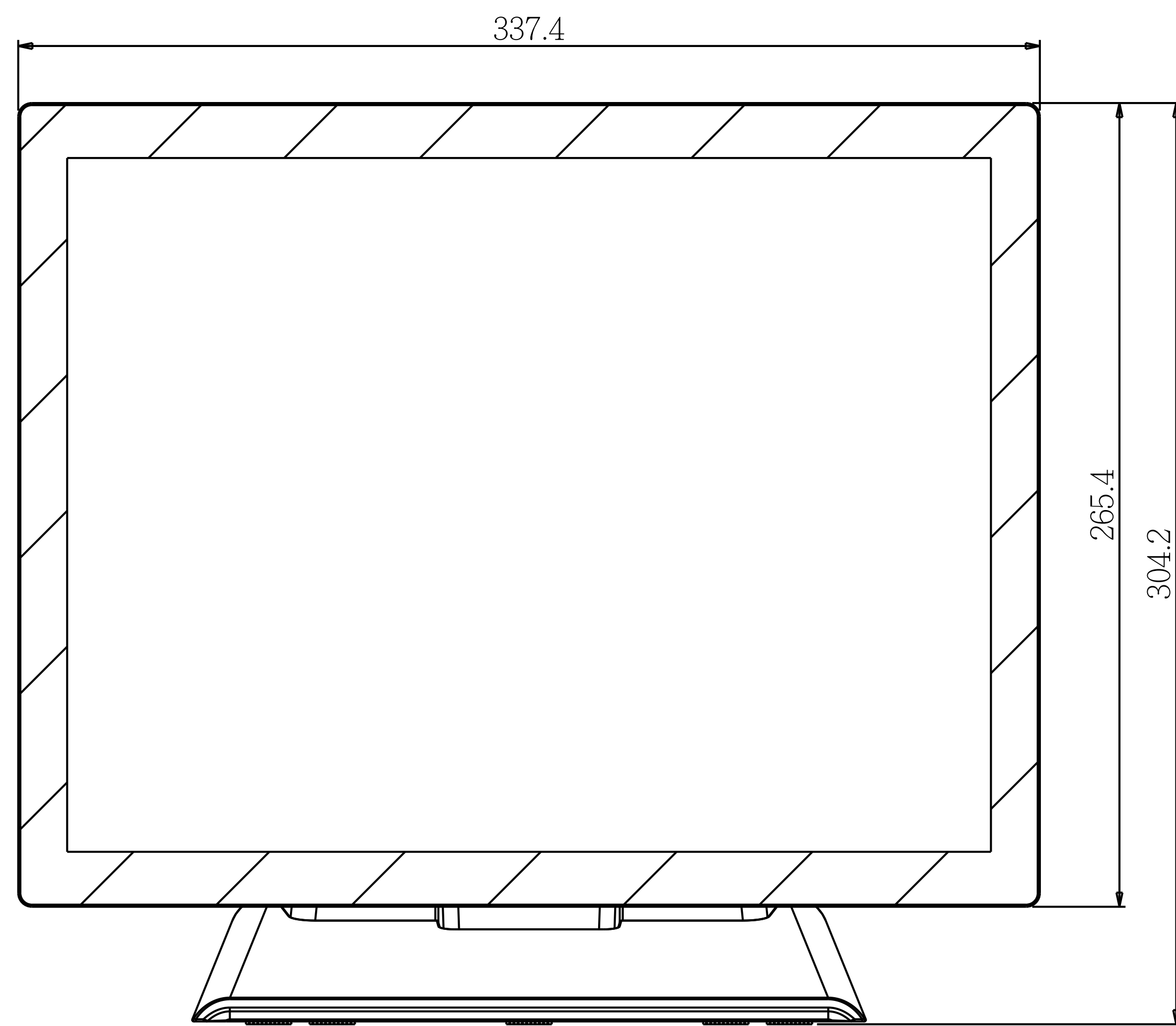
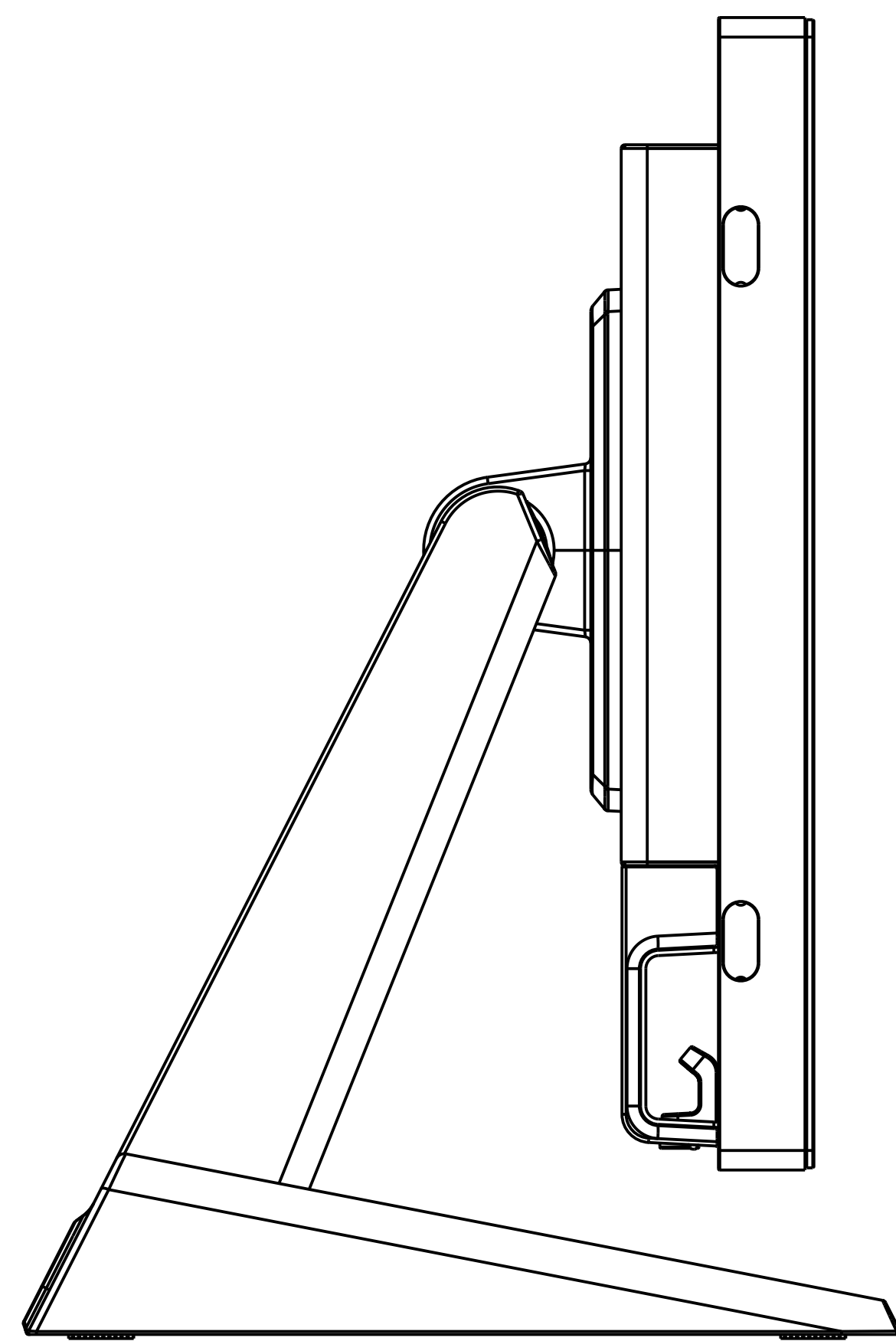
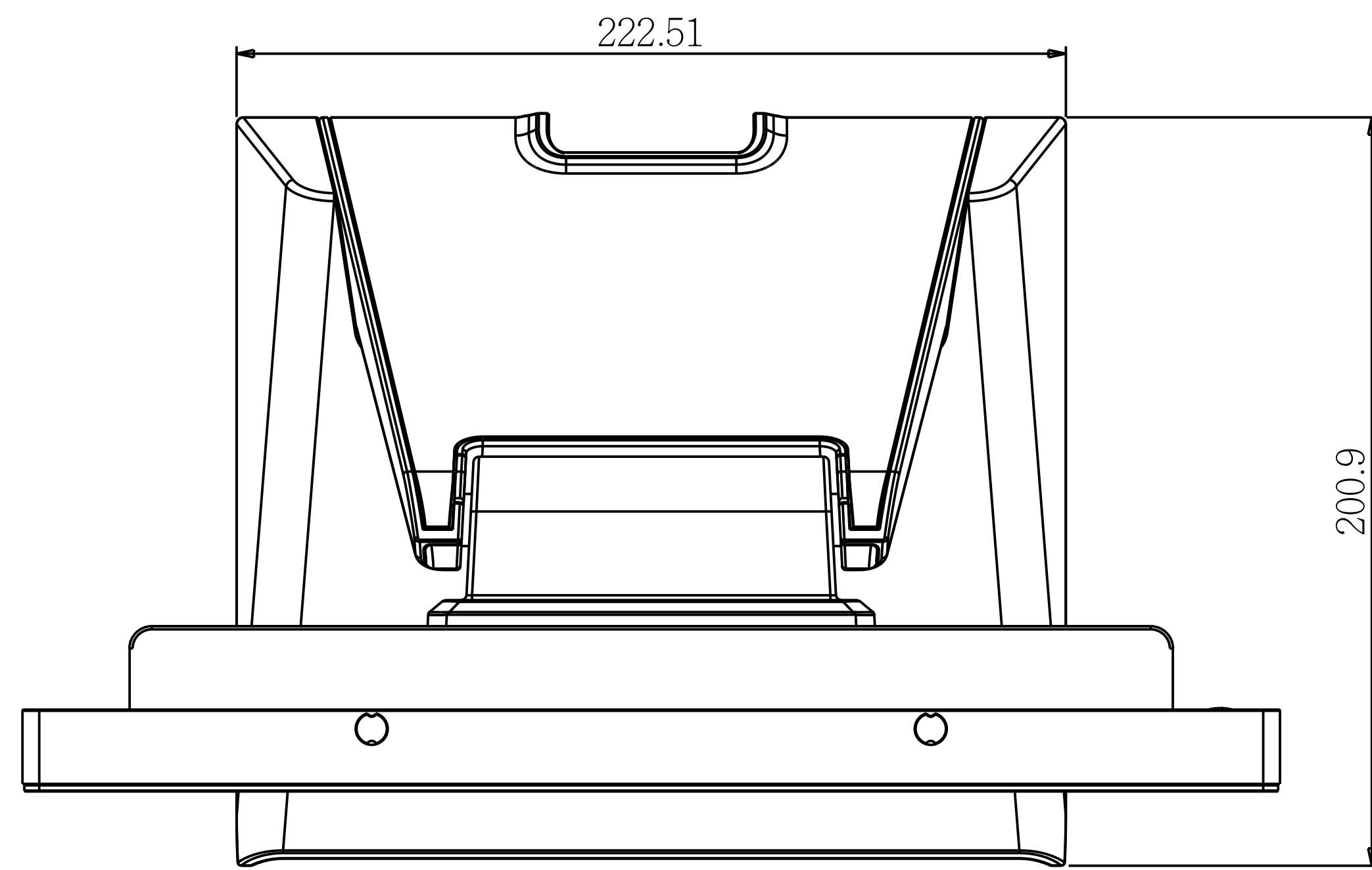


A | B | C | D | E | F | G | H | I | J | K | L | M | N

REVISIONS				
ECN	REV.	DESCRIPTION	DATE	APPROVED



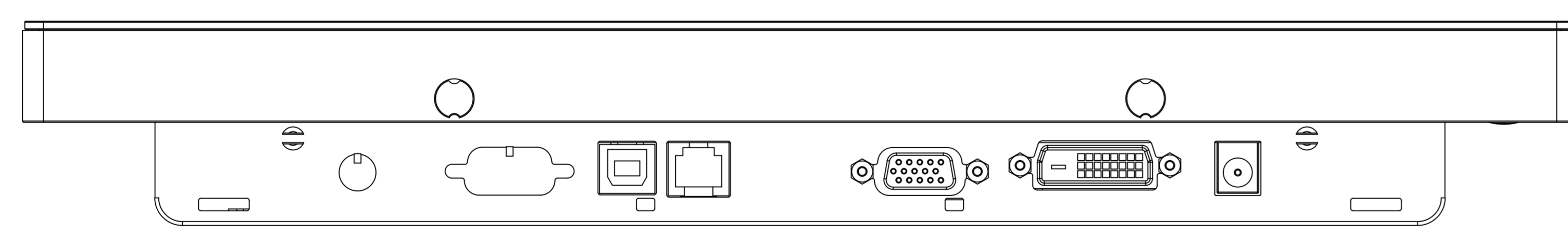
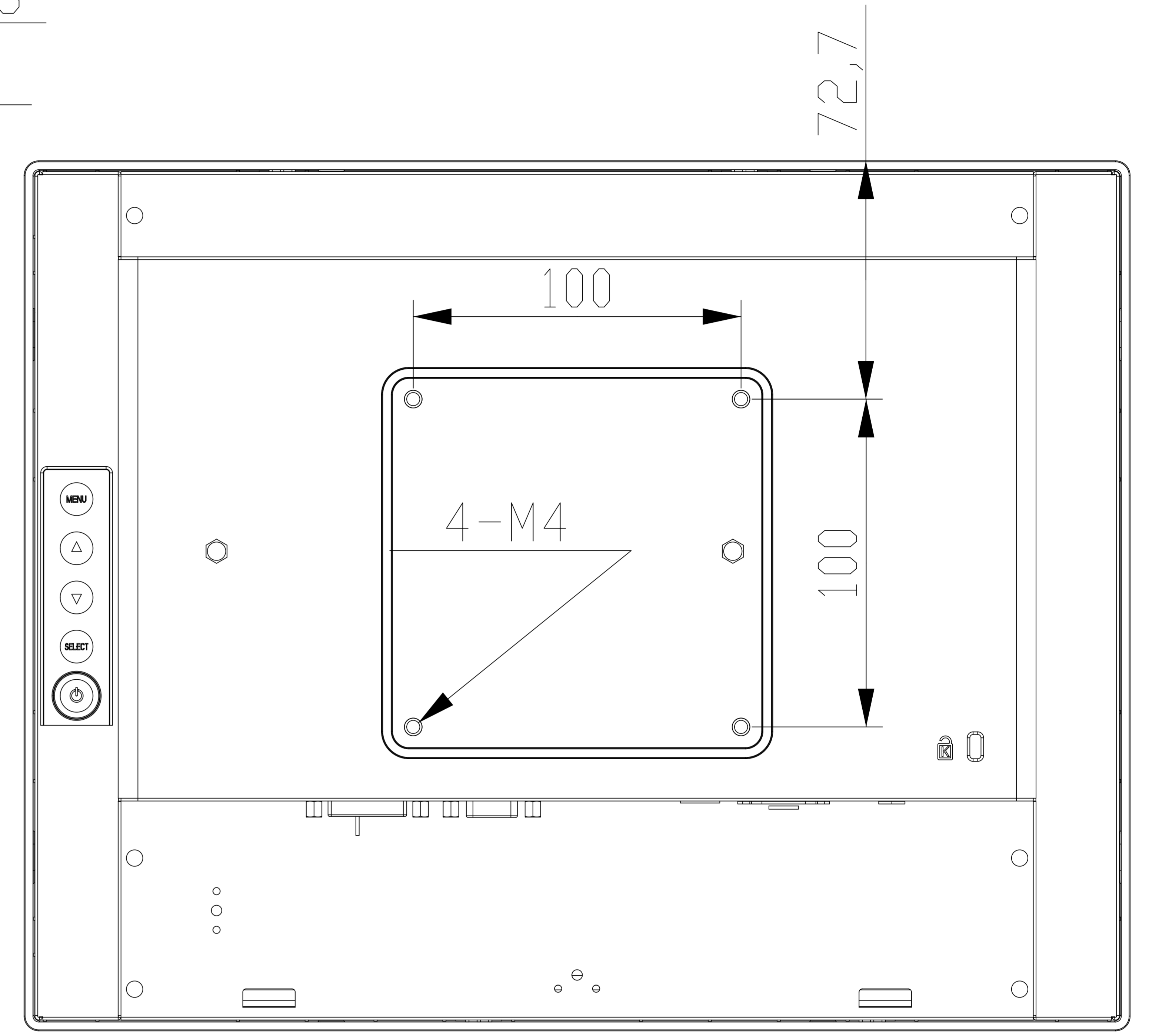
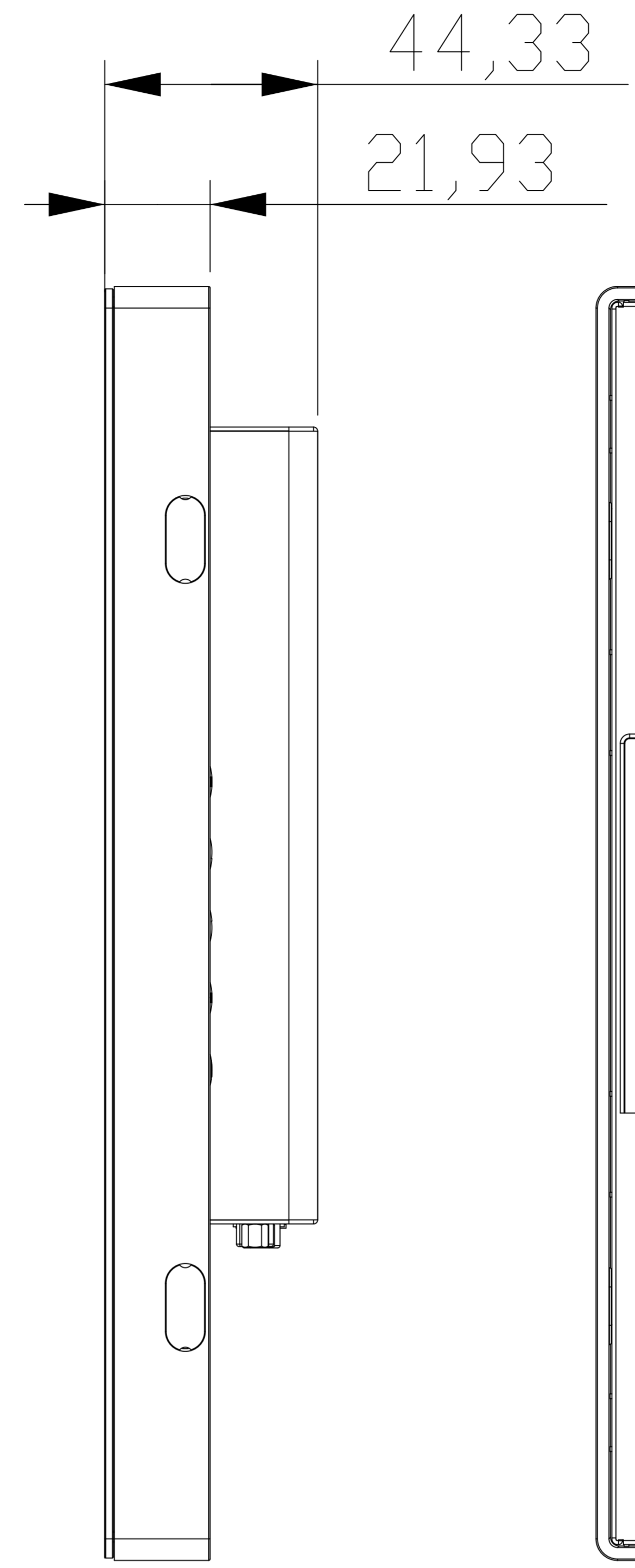
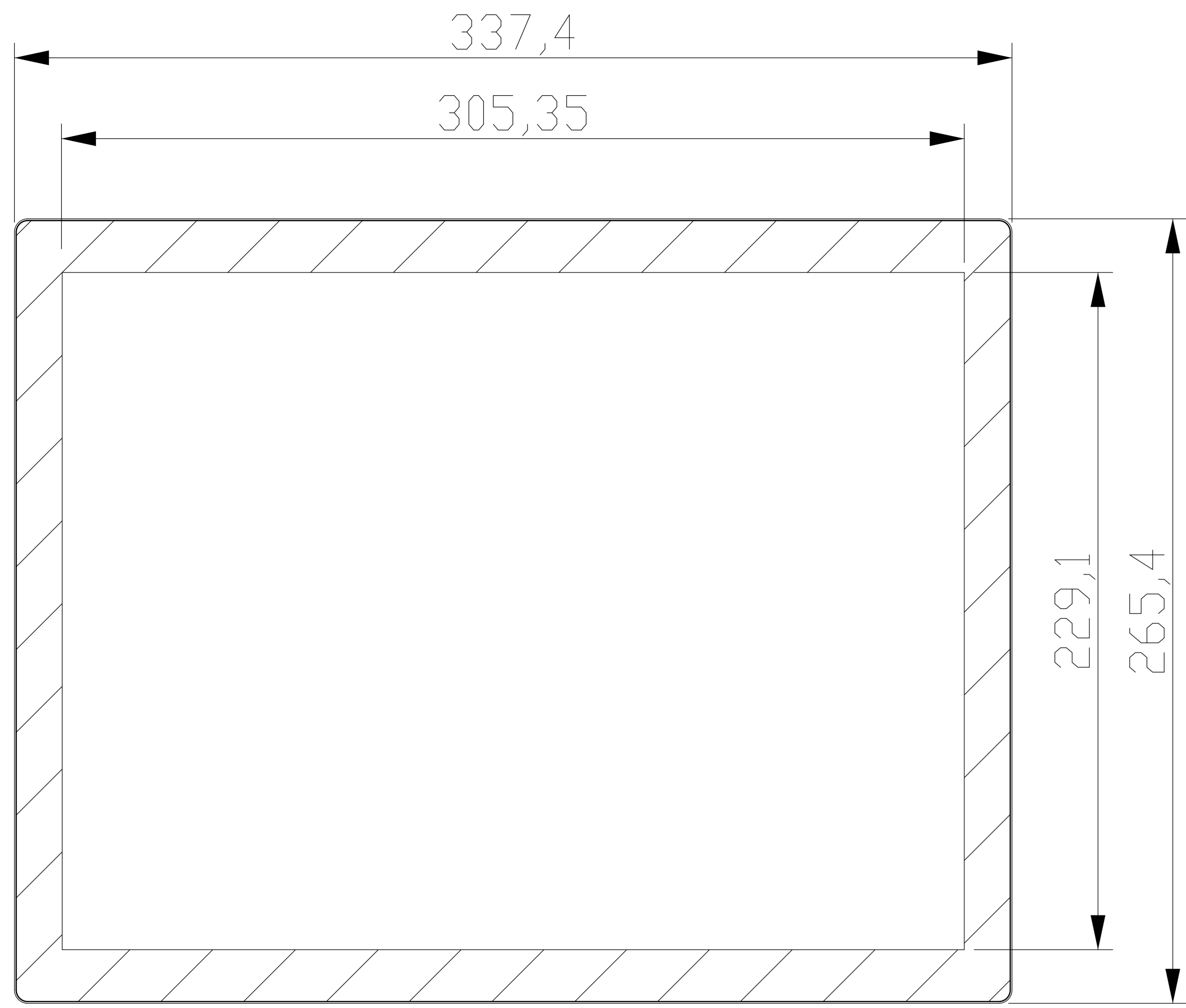
4-M4

UNLESS OTHERWISE SPECIFIED DIMENSIONS ARE IN: mm		APPROVALS		DATE
INCHES XX XXX	METRIC ± ±	0.X ±0.2 0.XX ±0.1	DRAWN	
THIRD ANGLE PROJECTION		ANGLES: ±1.0 °	CHECKED	
MATERIAL		COLOR	ISSUED	
DO NOT SCALE DRAWING		SCALE		

TOUCH ITALIA		PART NAME	
DIGITAL SIGNAGE RETAIL HOSPITALITY INDUSTRIAL		TEU-15S1-D-P	
SIZE	DWG. NO.	REV.	
A0		A	
SCALE	0.750	SHEET	OF 1 1

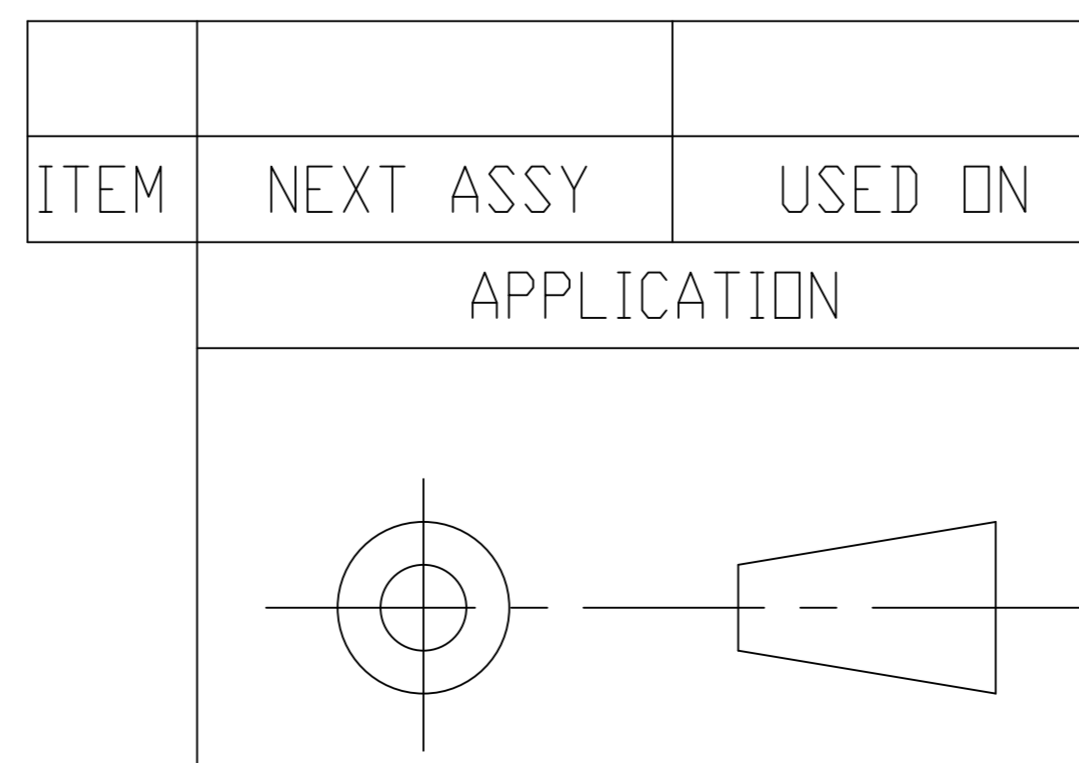
A | B | C | D | E | F | G | H | I

REVISIONS				
ECN	REV.	DESCRIPTION	DATE	APPROVED



UNLESS OTHERWISE SPECIFIED TOLERANCES(mm)		
FOR MYLAR/FOAM TAPE AND RUBBER		
DIMENSION		TOLERANCES(±)
Hyper-	To	
0	25	0,2
25	430	0,25

?? 0,300



ACAD FILE	
UNLESS OTHERWISE SPECIFIED DIMENSION ARE IN : M/M TOLERANCE	THIS DRAWING(SPECIFICATION) IS THE PROPERTY OF TVM CORPORATION ALL RIGHTS RESERVED
INCHES DECIMALS	METRIC SEE TABEL
APPROVALS	DATE
DRAWN:	
CHECKED:	
ISSUED:	
DO NOT SCALE DRAWING	

TOUCH ITALIA <small>DIGITAL SIGNAGE RETAIL HOSPITALITY INDUSTRIAL</small>	
PART NAME TEU-15S1-D-P	
SIZE A4	DWG. NO.
SCALE 0,143	SHEET 1 OF 1

(MODEL NAME)