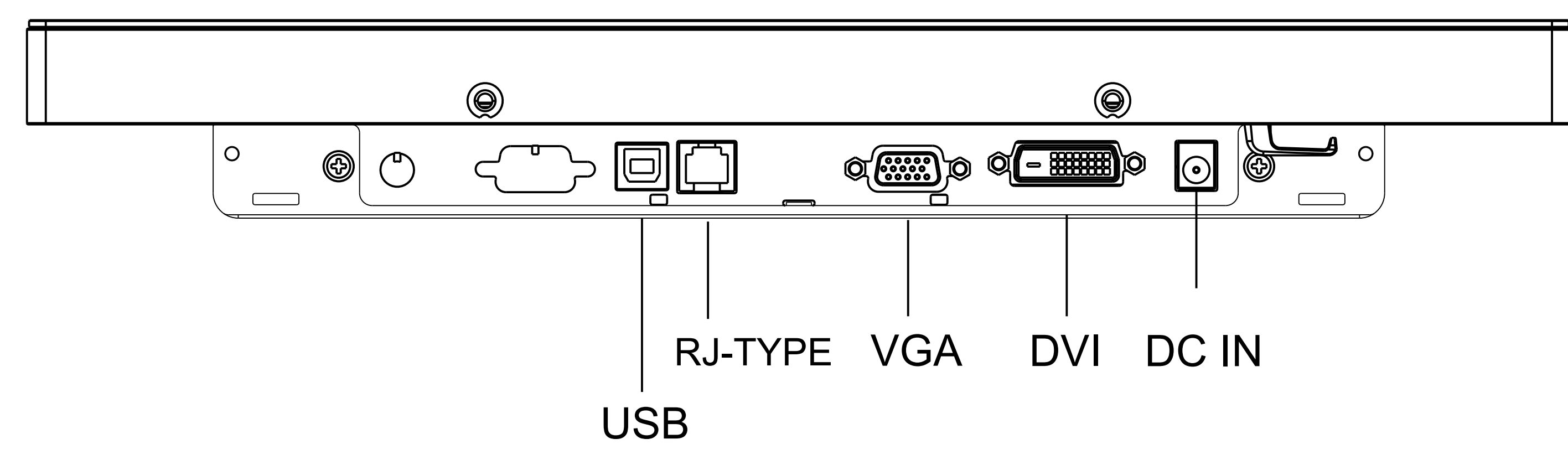
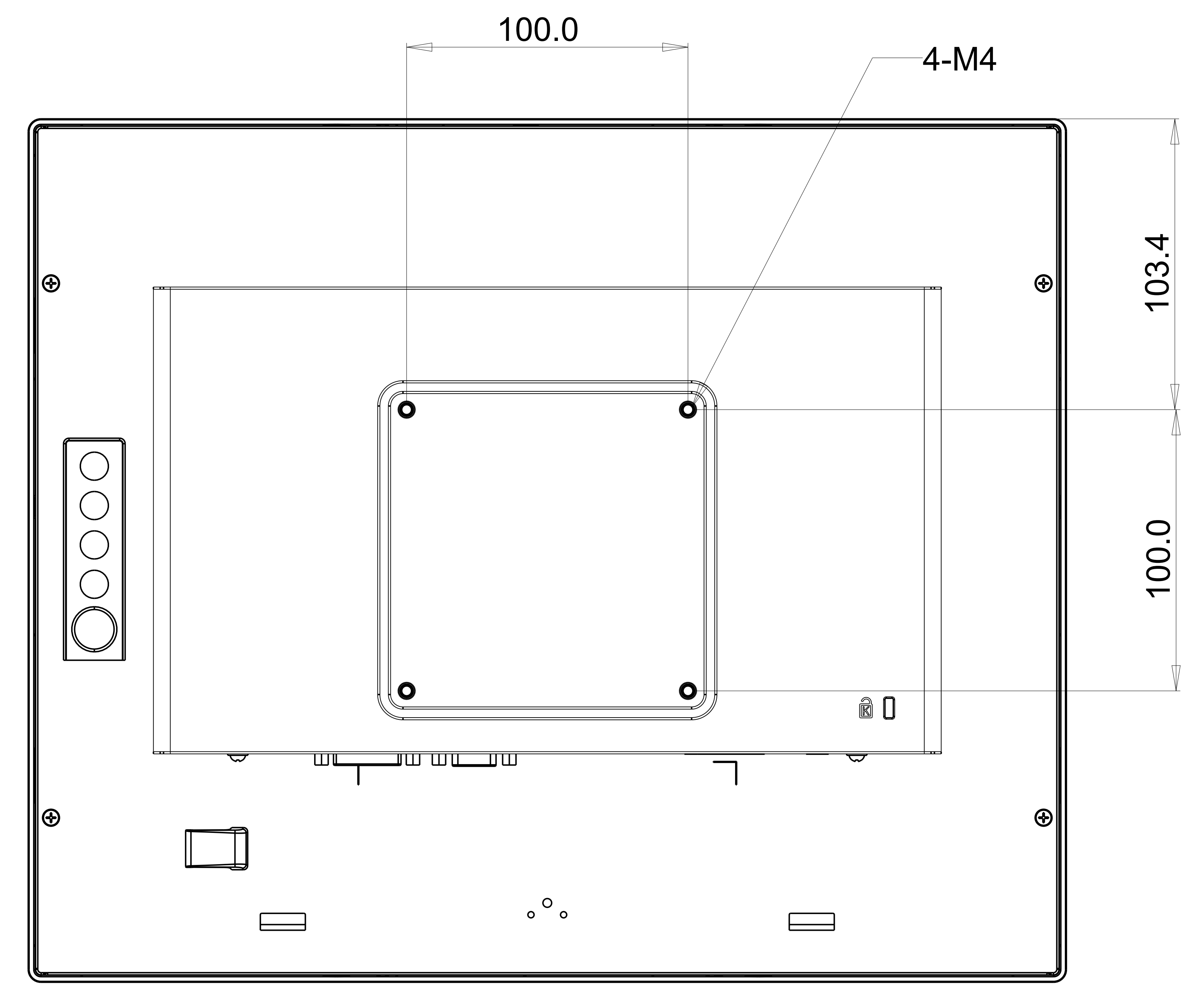
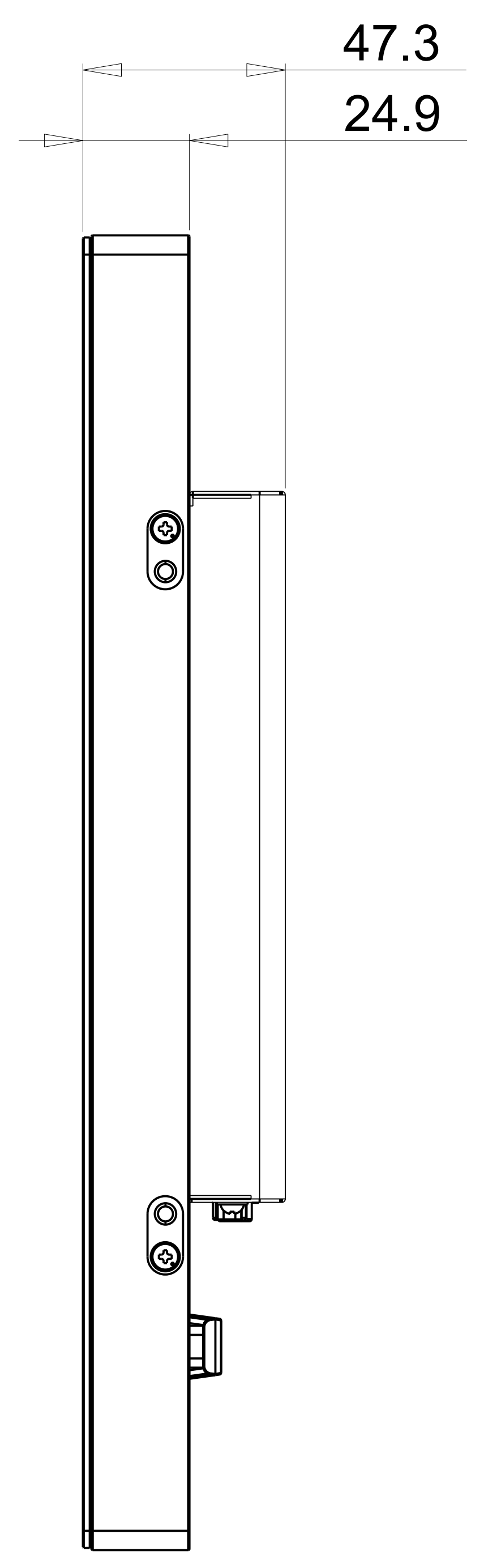
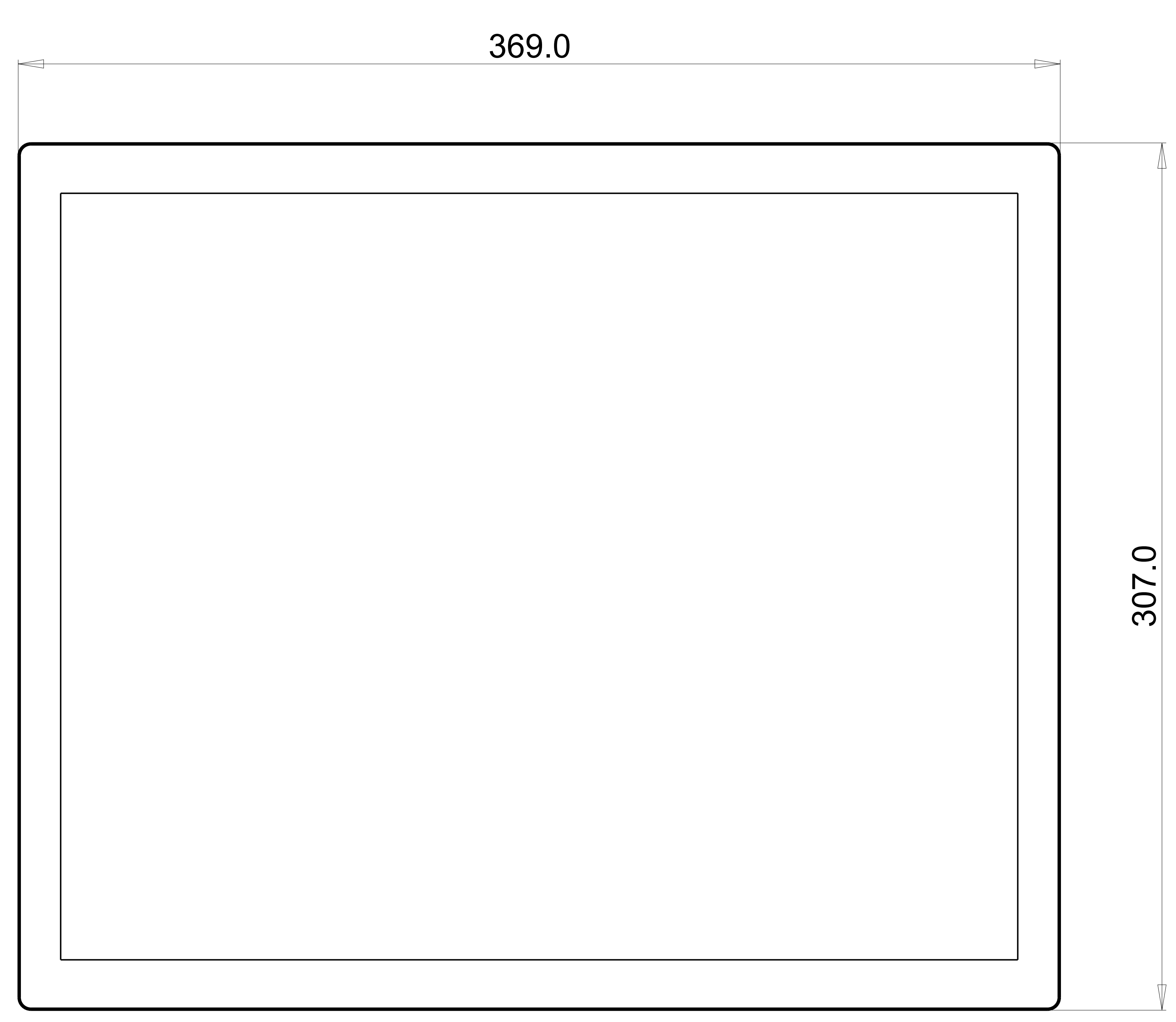


A | B | C | D | E | F | G | H | I | J | K | L | M | N

REVISIONS				
ECN	REV.	DESCRIPTION	DATE	APPROVED

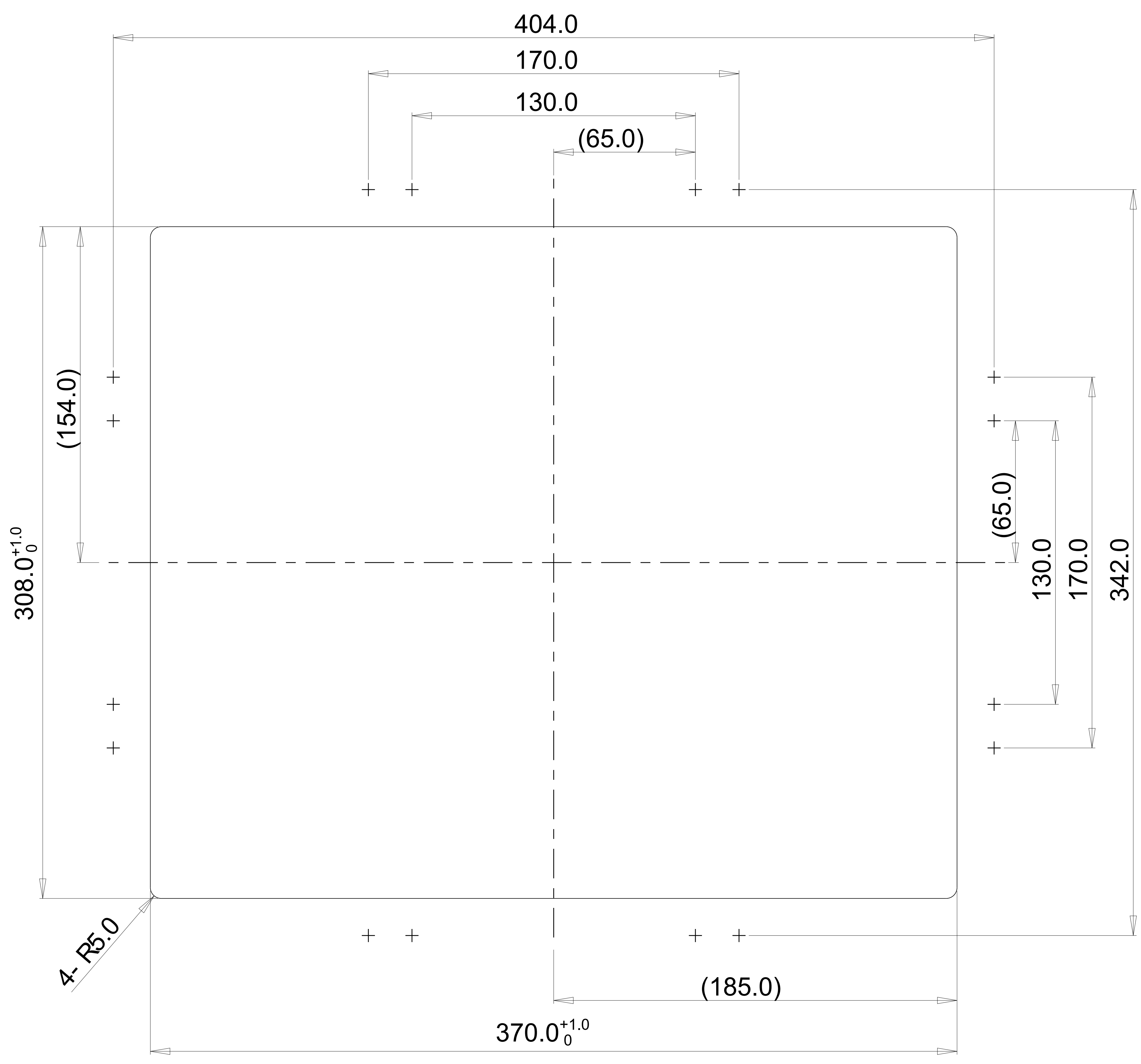


UNLESS OTHERWISE SPECIFIED DIMENSIONS ARE IN: mm TOLERANCES		APPROVALS		DATE	PART NAME <b>TEU-17S1-O-P</b>	
INCHES XX XXX	DECIMALS ±	METRIC 0.X 0.XX	±0.2 ±0.1	DRAWN	CHECKED	ISSUED
APPLICATION		THIRD ANGLE PROJECTION		MATERIAL		COLOR
THIRD ANGLE PROJECTION		ANGLES: ±1.0°		DO NOT SCALE DRAWING		SCALE
ITEM	NEXT ASSY	USED ON	APPROVALS		DATE	REV. <b>A</b>
SIZE <b>A0</b>				DWG. NO.		SHEET <b>1</b> OF <b>2</b>
SCALE				<b>1.000</b>		

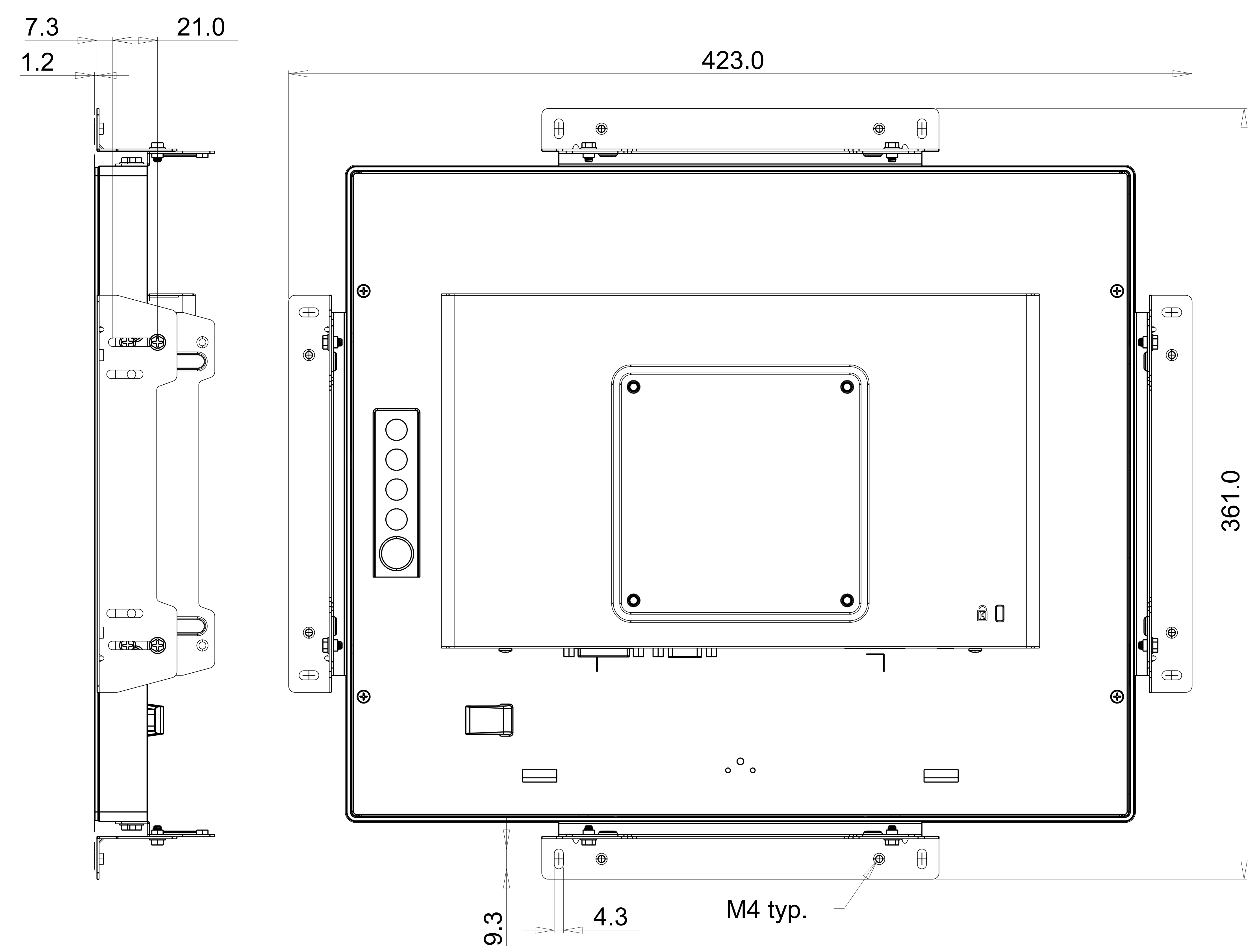
A | B | C | D | E | F | G | H | I | J | K | L | M | N

REVISIONS				
ECN	REV.	DESCRIPTION	DATE	APPROVED

RECOMMENDED CUSTOMER PANEL CUT-OUT



REAR MOUNT WITH BRACKETS,  
HORIZONTAL OR VERTICAL



UNLESS OTHERWISE SPECIFIED DIMENSIONS ARE IN: mm		TOLERANCES		APPROVALS		DATE		PART NAME											
INCHES	DECIMALS	METRIC						TEU-17S1-O-P											
XX	±	0.X	±0.2					SIZE	DWG. NO.		REV								
XXX	±	0.XX	±0.1					A0			A								
DO NOT SCALE DRAWING								SCALE	1.000		SHEET	OF 2		2					