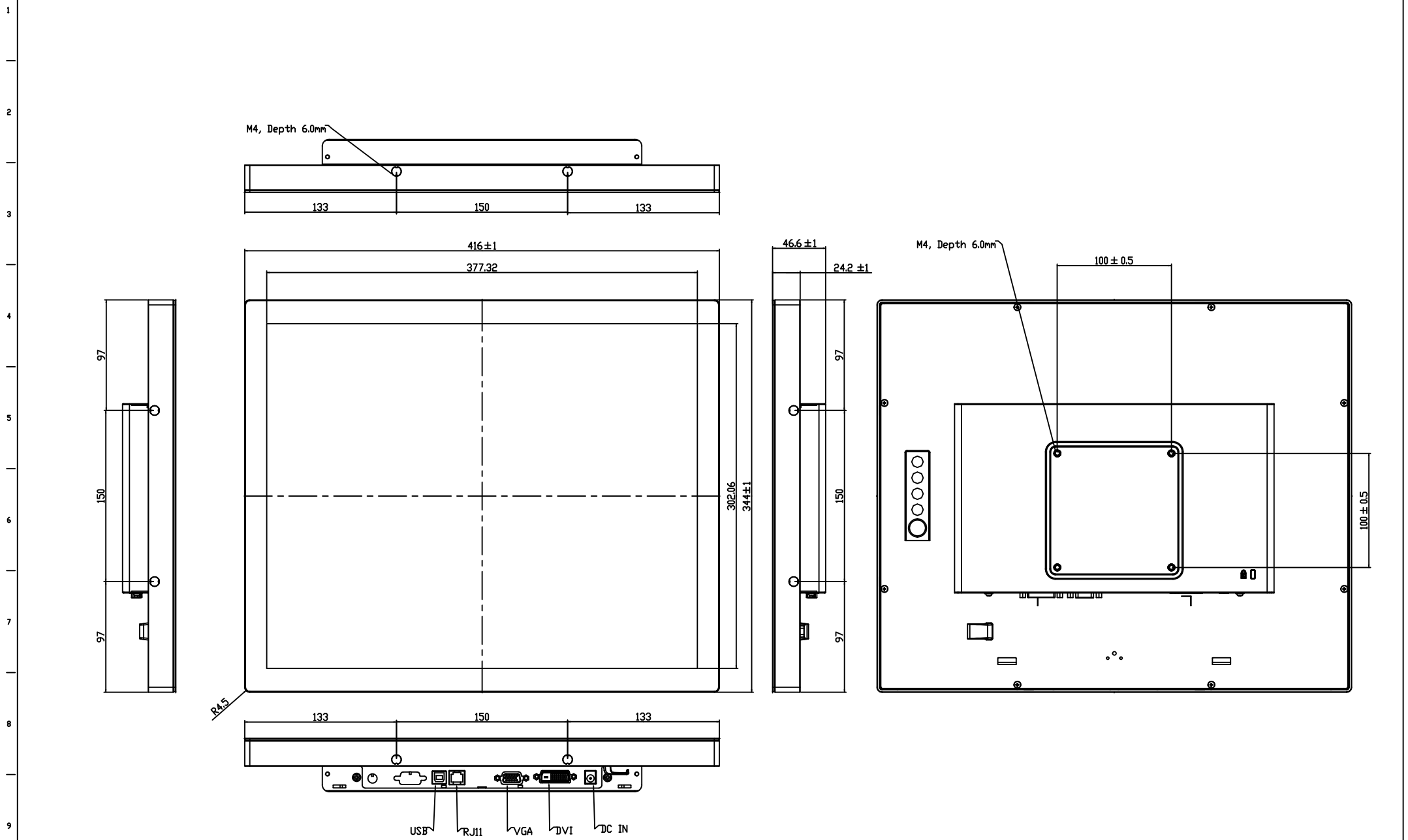


REVISIONS				
CON	REV.	DESCRIPTION	DATE	APPROVED

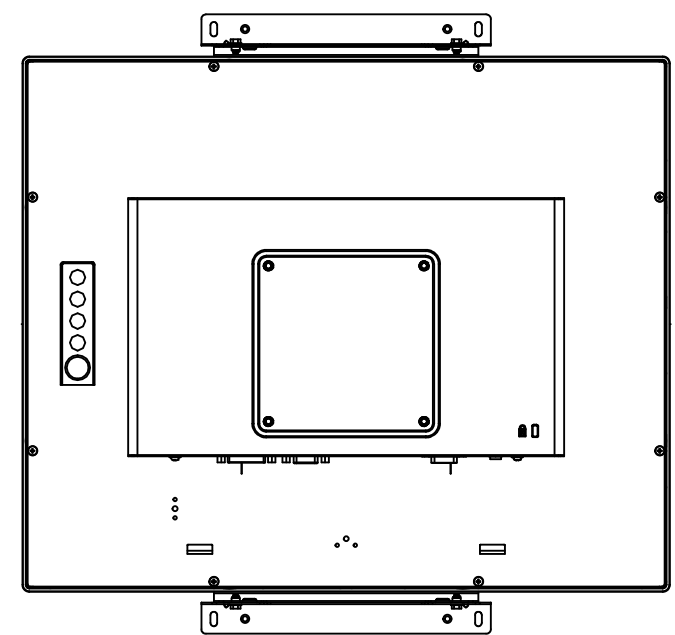
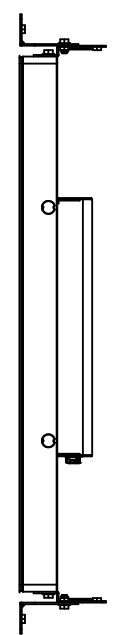
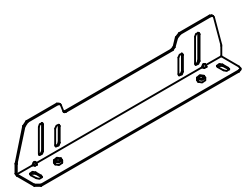
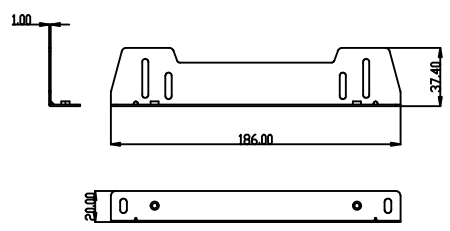
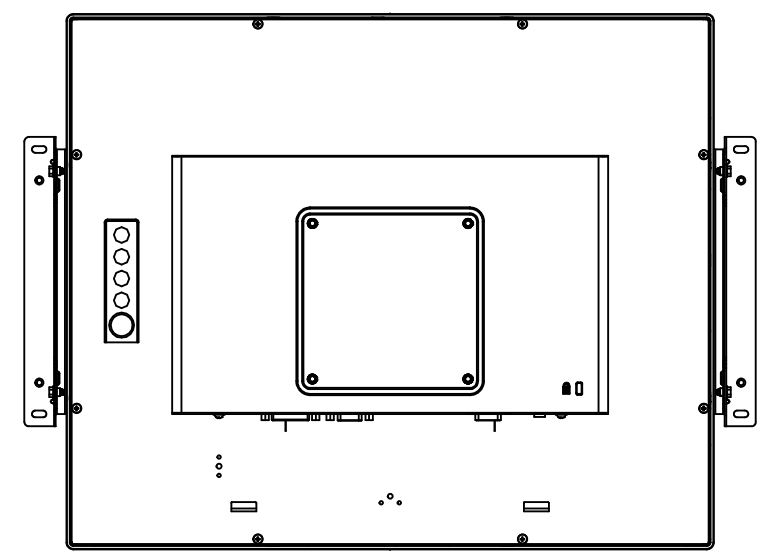
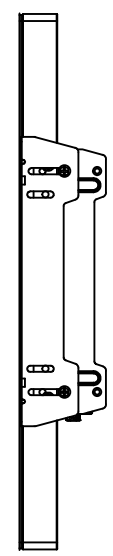
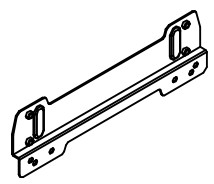
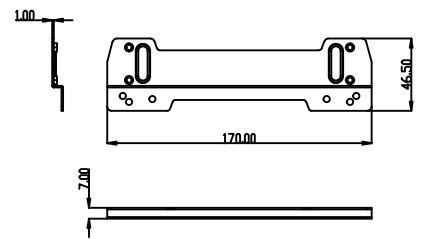


UNLESS OTHERWISE SPECIFIED TOLERANCES(mm)

EXCEED PRECISION (FOR PLASTIC)

DIMENSION	TOLERANCE(±)
Hyper-	To
0	25
25	250
250	400
400	500
500	630
630	800

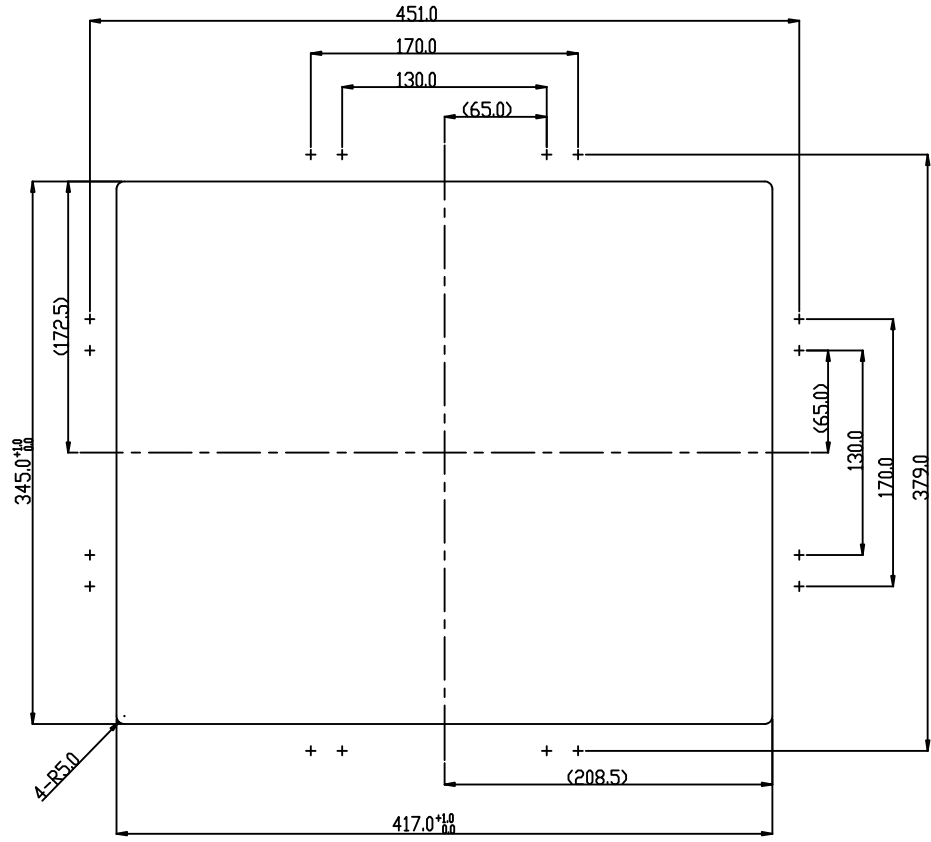
REV	REV DATE	REV BY	REV REASON	APPROVED	DATE	PWP DATE	APPROVED
				TEU-19S1-O-P		DRAWN BY: CHECK BY: DATE:	
BY APPLICATOR'S REQUEST						FREE	



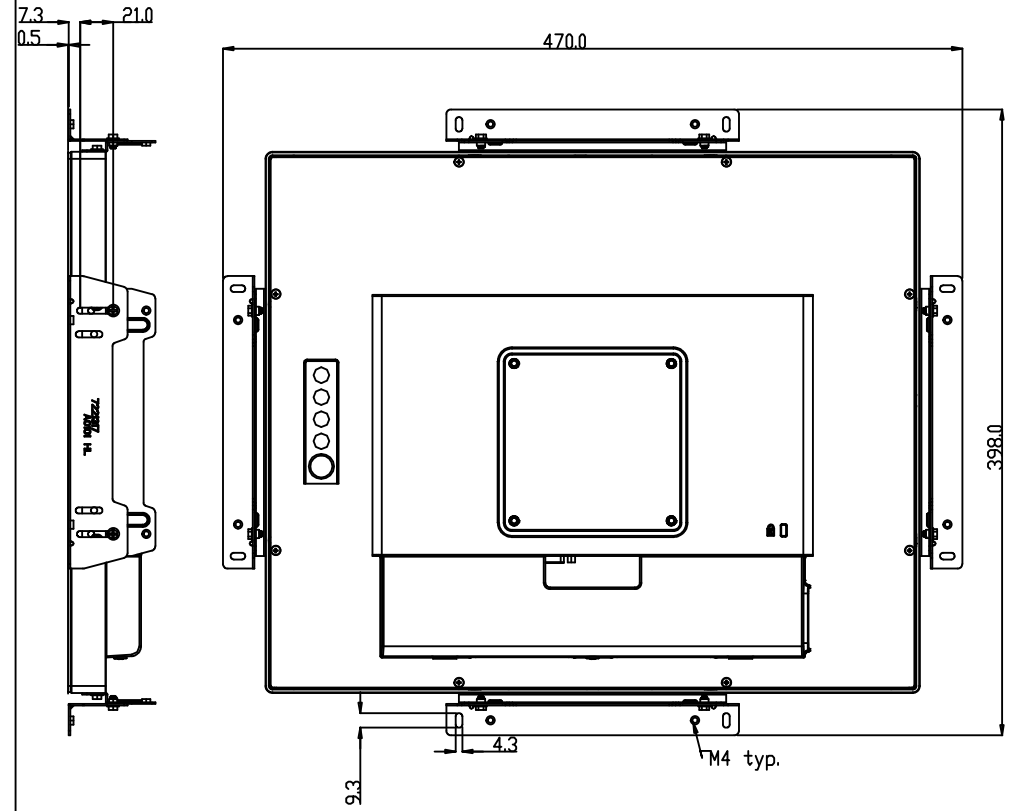
UNLESS OTHERWISE SPECIFIED TOLERANCES(mm) EXCEED PRECISION (FOR PLASTIC)

DIMENSION		TOLERANCES(±)
Hyper-	To	
0	25	0.1
25	250	0.2
250	400	0.3
400	500	0.4
500	630	0.5
630	800	1.2

RECOMMENDED CUSTOMER PANEL CUT-OUT(REAR MOUNT)



REAR MOUNT WITH BRACKETS, HORIZONTAL OR VERTICAL



UNLESS OTHERWISE SPECIFIED TOLERANCES(mm)
EXCEED PRECISION (FOR PLASTIC)

DIMENSION		TOLERANCES(±)
Hyper-	To	
0	25	0.1
25	250	0.2
250	400	0.3
400	500	0.6
500	630	1.0
630	800	1.2