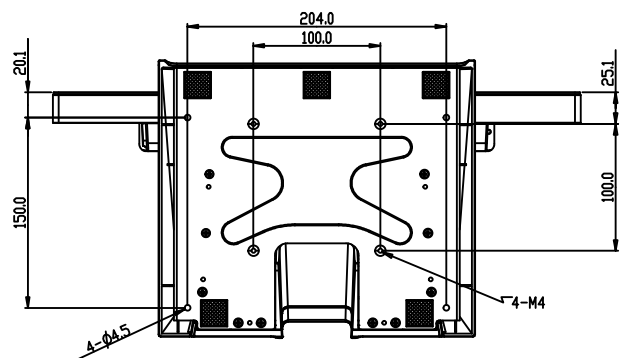
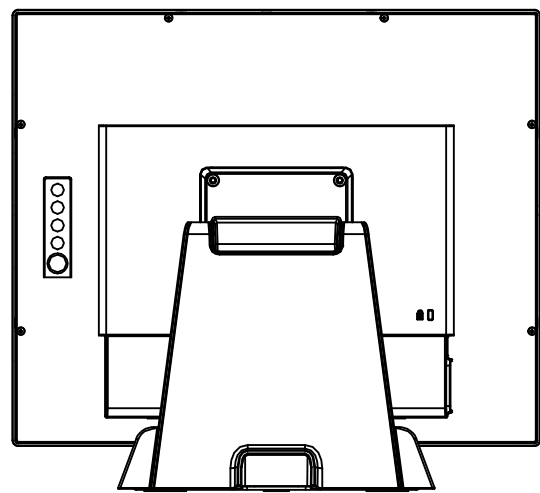
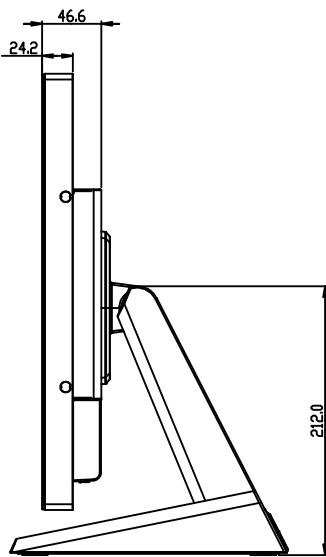
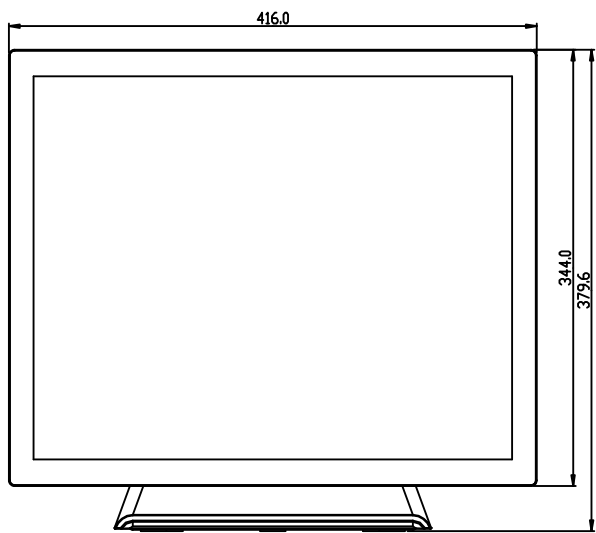
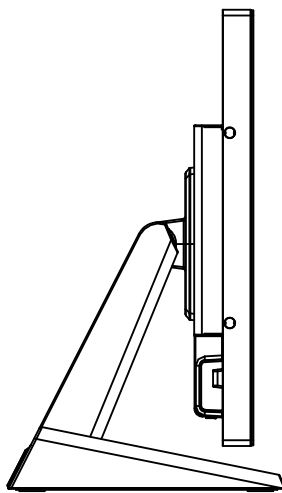
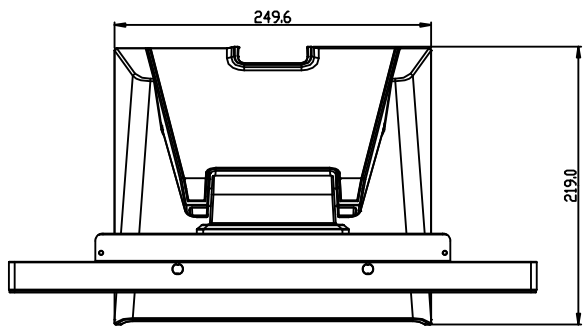


REVISIONS				
EDR	REV.	DESCRIPTION	DATE	APPROVED

1
2
3
4
5
6
7
8
9
10



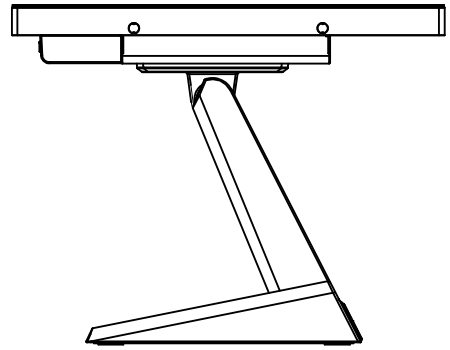
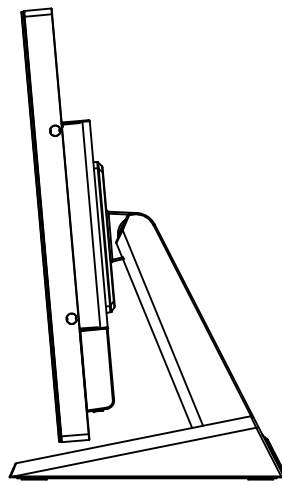
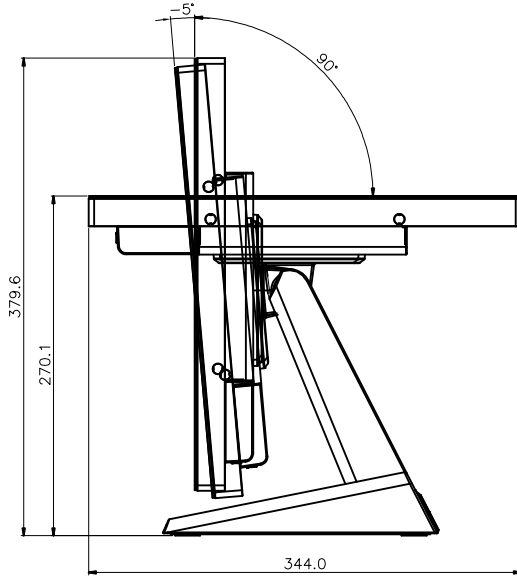
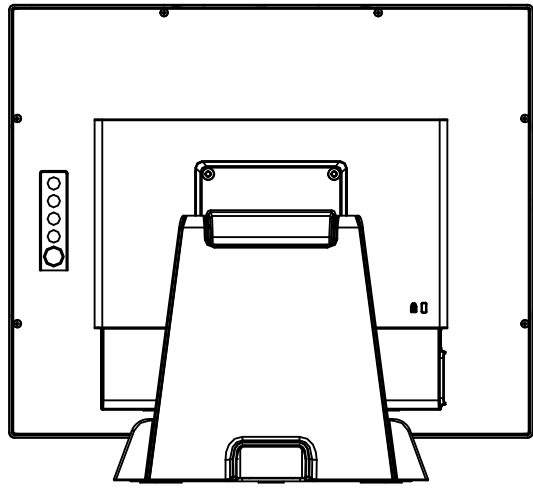
UNLESS OTHERWISE SPECIFIED TOLERANCES(NM) EXCEED PRECISION (FOR PLASTIC)

DIMENSION	TOLERANCE(±)
Hyper	To
0	25
25	250
250	400
400	500
500	630
630	800

DESIGN	DATE	APPROVED	DATE	 TOUCHSCREEN SPECIALISTS TEU-19S1-D-P
APPLICATION	REVISED	BY	DATE	
THIRD ANGLE PROJECTION	SCALE	BY	DATE	SHEET NO. AO TOTAL SHEETS FREE

REVISIONS				
EDN	REV.	DESCRIPTION	DATE	APPROVED

1
2
3
4
5
6
7
8
9
10



UNLESS OTHERWISE SPECIFIED TOLERANCES(mm)
EXCEED PRECISION (FOR PLASTIC)

DIMENSION		TOLERANCES(±)
Hyper-	To	
0	25	0.1
25	250	0.2
250	400	0.3
400	500	0.4
500	630	0.5
630	800	0.6

DATE	REV. NO.	DESIGNED BY	CHECKED BY	APPROVED BY	DATE	SCALE	FIG. NO.	SHEET NO.
APPLICATION		PROJECT		JOB NO.				
TOUCH ANGLE SELECTOR								

TOUCH EUROPE
Touchscreen specialists

TEU-19S1-D-P

REV. A

FIG. 1